

Product Features

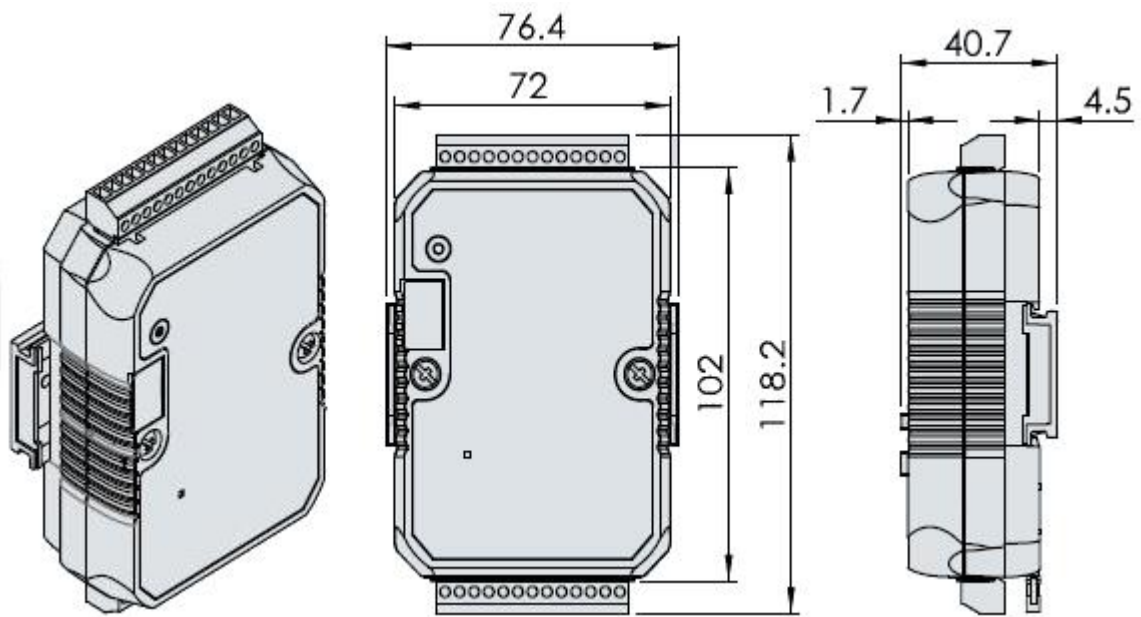
- Use for ATC Whole Series Controller
- RS-485 Interface
- Supports Modbus RTU / ASCII
- LED Indicator
- Operation Temperature -20~+75°C
- Isolation Voltage: 5000 V DC
- Surge , EFT And ESD Protection
- Dual Watchdog Timer
- Low Power Indicator
- Operation Range: Up To 1200 Meters
- Free Monitor PC Software "Utility"



Specifications

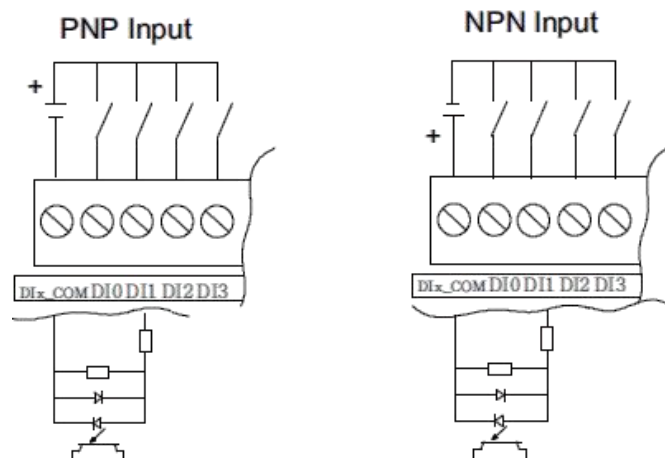
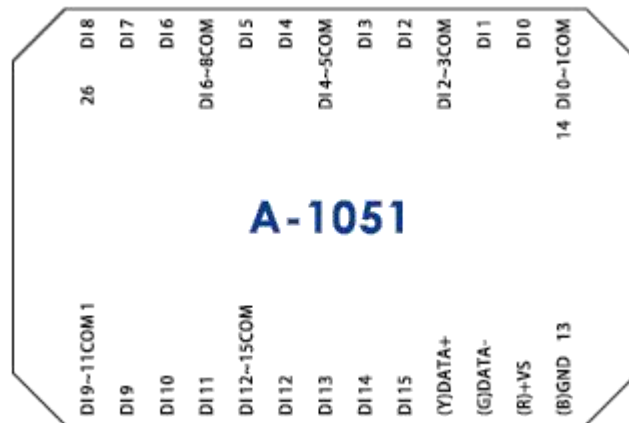
Type	A-1051	
Operation Voltage	10~30VDC/24VAC	
Inputs	16 * Isolation DI	Status Low: <1VDC
		Status High: >5~30VDC
Outputs	-	
Continuous Current	-	
Communication Baud Rate	1200 ~ 115200bps	
Communication Interface	RS-485	
Data Bit	8 bits	
Parity	Odd, Even, None	
Stop Bits	1,2 bits	
Communication protocol	MODBUS RTU / MODBUS ASCII	
Isolation	YES (5000VDC)	
Input Operating Frequency	10Hz	
Output Operating Frequency	Relay: 10Hz / Transistor: 10Hz	
Operation Temperature	-20 to +75°C	
Degree Of Protection	IP20	
Installation	35 mm DIN rail / Flush mounting	
Dimension (W×H×D)	76.4*118.2*40.7 mm	

Dimension

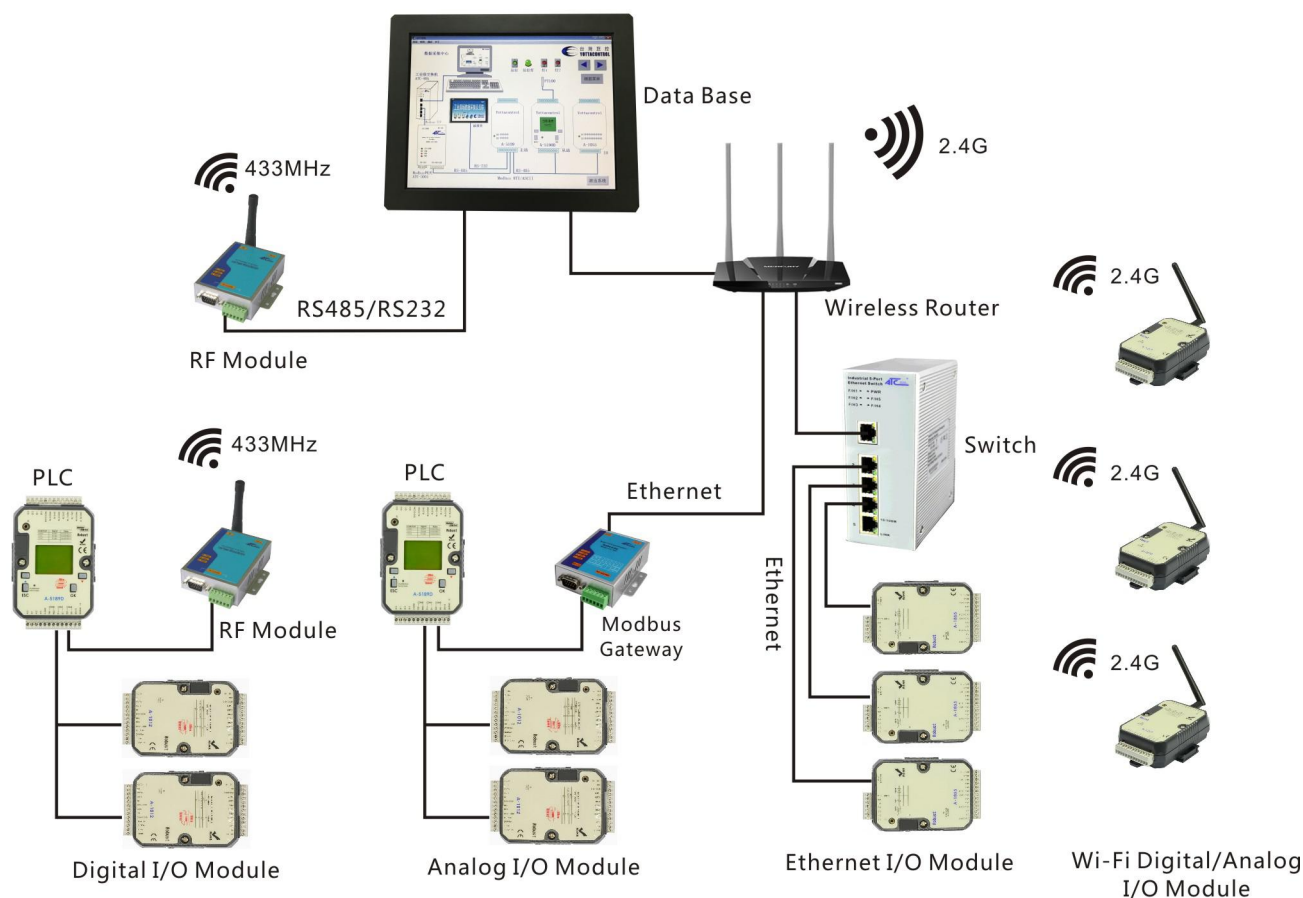


Unit: mm

Wiring Diagrams & Pin Out



Application Diagram



Order Information

Model No	Description	Interface
A-1057	12DO, Source Output, DC Power Supply	RS-485
A-1058	12DO, Sink Output, DC Power Supply	RS-485
A-1068	8DO, Signal Relay Output, DC Power Supply	RS-485
A-1069	8DO, Power Relay Output, DC Power Supply	RS-485
A-1051	16DI, DC Power Supply	RS-485
A-1055	8DI/8DO, Sink Output, DC Power Supply	RS-485
A-1055S	8DI/8DO, Source Output, DC Power Supply	RS-485
A-1060	8DI/4DO, Power Relay Output, DC Power Supply	RS-485
A-1010	8AI(0~10V,10bit)/8AO(0~10V,10bit)/4DO(sink)	RS-485
A-1012	ADIO Remote Modules, LED indicator, DC Power Supply, 2DI, 4AI(0~20/4~20mA + PT-100/1000), 2AO(0~20/4~20mA), 2DO(Transistor)	RS-485*1 USB*1
A-1019	ADIO Remote Modules, LED indicator, DC Power Supply, 4DI, 8AI(0~20/4~20mA,J,K,T,E,R,S,B,Thermistor)	RS-485*1 USB*1

Contact us

Shenzhen ATC Technology Co., Ltd

Room 803, Block B, Building 4, Tian'an Cyber Park, Longgang District, Shenzhen, China, 518172

Tel: +86-755 - 8345 2531 / 8345 3318

Fax: +86-755-2899 8985