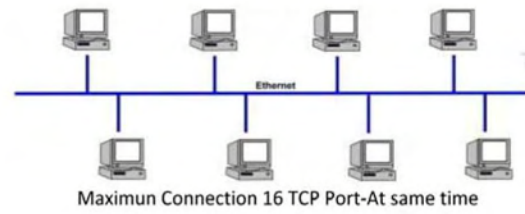
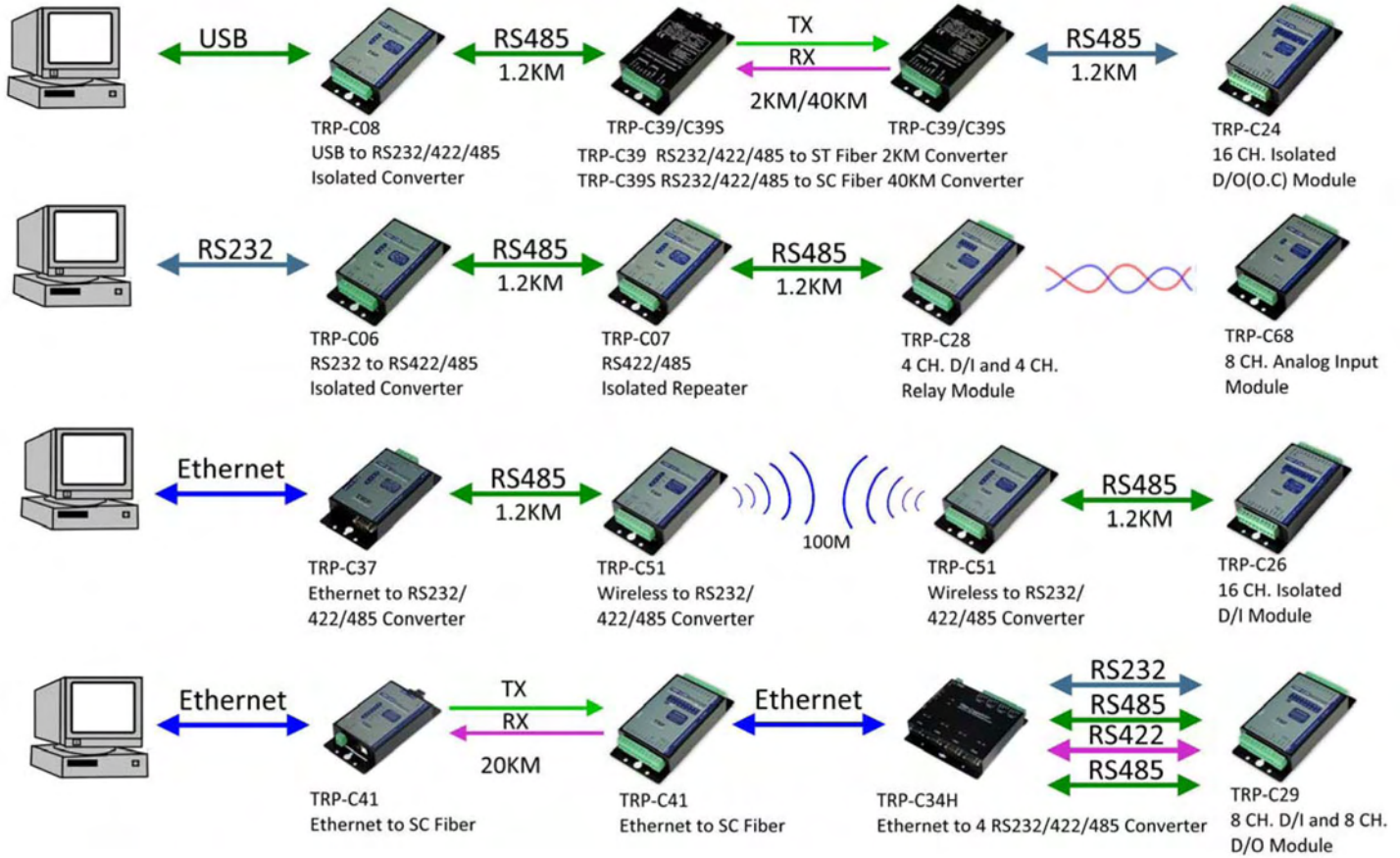
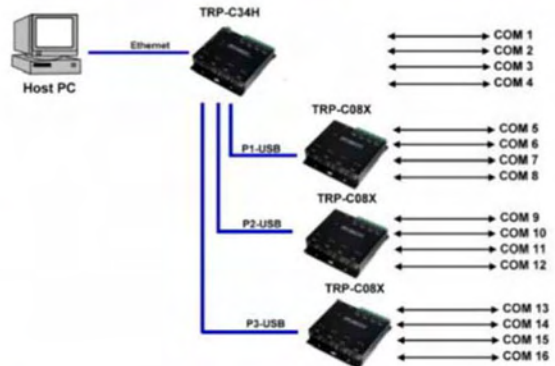
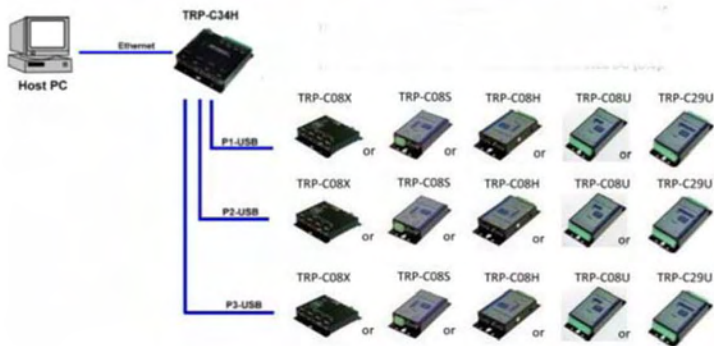


# TRP-Serials Application



TRP-C34H with TRP-C08X/TRP-C08S/TRP-C08H/TRP-C08U/TRP-C29U

TRP-C34H up to 16 Real COM or 16 TCP Port (only one IP)



## RS232 to RS422/485

TRP-C06 RS232 to RS422/485 Isolated Converter  
TRP-C06H 2 R232 to RS422/485 Isolated Converter

## Ethernet Serial Server

TRP-C37 Ethernet to RS232/422/485 Converter  
TRP-C37M Modbus TCP to ASCII/RTU Gateway  
TRP-C36 Ethernet to RS232/422/485 Isolated Converter  
TRP-C34H Ethernet to 4 RS232/422/485 Converter  
TRP-C34H+TRP-C08X Ethernet to 8/12/16 RS232/422/485 Converter

## Modbus Remote I/O

TRP-C24 16 CH. Digital Output (O.C) Isolated RS485 Module  
TRP-C26 16 CH. Digital Input Isolated RS485 Module  
TRP-C28 4 CH. D/I and 4 CH. Relay RS485 Module  
TRP-C29 8 CH. D/I and 8 CH. D/O (O.C) RS485 Module  
TRP-C68 8 CH. Analog Input Isolated RS485 Module

## Serial to Wireless

TRP-C51 Bluetooth to RS232/422/485 Converter  
**RS422/485 Repeater**  
TRP-C07 RS422/485 Isolated Repeater

## USB to Serial

TRP-C08 USB to RS232/422/485 Isolated Converter  
TRP-C08S USB to 1 RS232 and 1 RS422/485 Isolated Converter  
TRP-C08H USB to 2 RS232 and 2 RS422/485 Isolated Converter  
TRP-C08U USB to 4 RS232 Isolated Converter  
TRP-C08X USB to 4 RS232/422/485 Converter  
TRP-C29U USB to 8 CH. DI and 8 CH. DO(O.C) Module

## Fiber Serials

TRP-C39 ST 2KM Fiber to RS232/RS422/485 Isolated Converter  
TRP-C39S SC 40KM Fiber to RS232/422/485 Isolated Converter  
TRP-C41 SC Ethernet to Fiber Media Converter



+886-8678-1191  
+886-8678-1172

www.trycom.com.tw  
juvia@trycom.com.tw

