

TRP-C28

**4-channel isolated digital input and 4-channel power relay output
RS-485 module, Support ASCII and Modbus Protocol.**



User's Manual

Printed MAY. 2007 Rev 1.0

Trycom Technology Co.,Ltd
1F, No.2-11,Sihu street , Yingge Township, Taipei, Taiwan ROC
Tel: 886-2-86781191 , Fax: 886-2-86781172
www.trycom.com.tw

Copyright

Copyright Notice: The information in this manual is subject to change without prior notice in order to improve reliability, design and function and does not represent a commitment on the part of the manufacturer. No part of this manual may be reproduced, copied, or transmitted in any form without the prior written permission of manufacturer. Acknowledgment Products mentioned in this manual are mentioned for identification purpose only. Products names appearing in this manual may or may not be registered trademarks or copyright of their respective companies.

1.Introduction

TRP-C28 provides with 4 optical isolated digital input channels and 4 power relays output. All channel features screw terminals for convenient connection of field signals as well as LED's to indicate channel status. Input channels are equipped with 3750Vrms DC isolation, and surge protection on RS-485 data lines that protect the module and devices against high power voltage input and ground potential differences. For easy user access, TRP-C28 can enter configuration mode and self-test mode with outer dip-switch. TRP-C28 support both ASCII and Modbus protocol, with a full set of command, dual watch-dog, and auto reset function the module can be bi-directionally remote controlled by PC in ASCII or Modbus RTU protocol.

1-1.Features

- Wide input range DC power supply.
- Support ASCII and Modbus RTU protocol.
- Supports baud rates from 1.2Kbps to 115.2 Kbps.
- All 4 channels digital input can be used as counter.
- Digital input signal with 3750Vrms isolation protection.
- Dual watchdog: Module's firmware, host computer traffic.
- LED for each channels working status.
- DIN rail and panel mount support.
- Configured and self-test by outer dip-switch.
- Support screw terminal and external DC power adaptor.

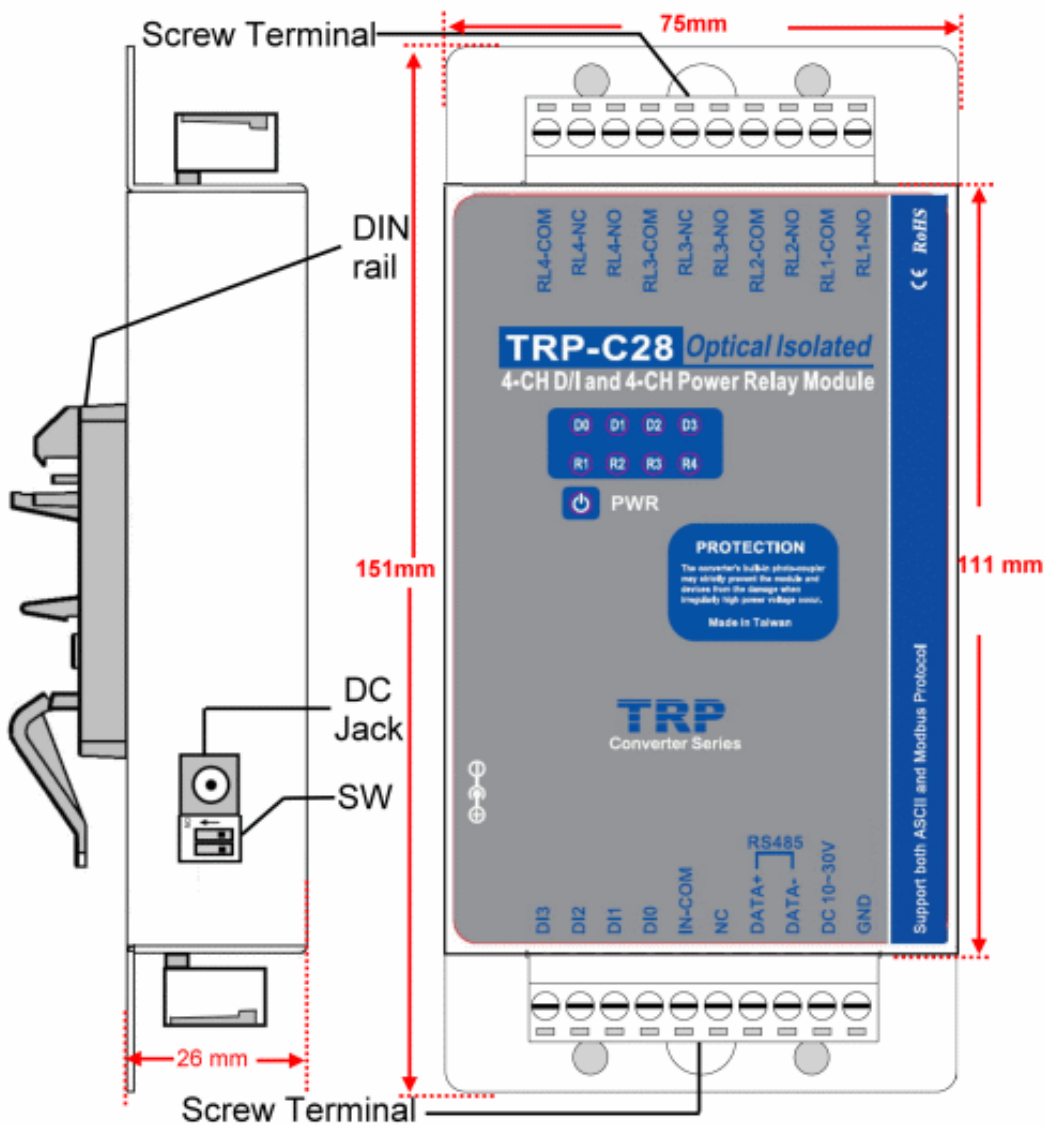
1-2.Specifications

- Power Input Voltage DC +10V to +30V.
- Input channel: 4 digital input channels.
- Input optical isolation: 3750 Vrms.
- Input logical level 0: $\pm 1V$ (max).
- Input logical level 1: $\pm 4.0V \sim \pm 30V$.
- Communication interface: RS485.
- Communication speed: Baud rate from 1.2kbps to 115.2Kbps.
- Input impedance: 3Kohm.
- Distance: 500M (max).
- Digital Input can be used as counter channel: 4.
- Counter frequency: 100Hz.
- Output channel: 4 channel power relay outputs.
- Relay type: 2 Form A (RL1,RL2) , 2 Form C (RL3,RL4).
- Contact rating: 6A/24V DC, 6A/120V AC , 5A/250V AC.
- Relay surge strength: 4000V.
- Relay operating time: 6ms.
- Relay operating life: 1×10^7 .
- Dual watchdog: Hardware reset circuit, module and host operating status.
- Signal LED: Power on, all channels.

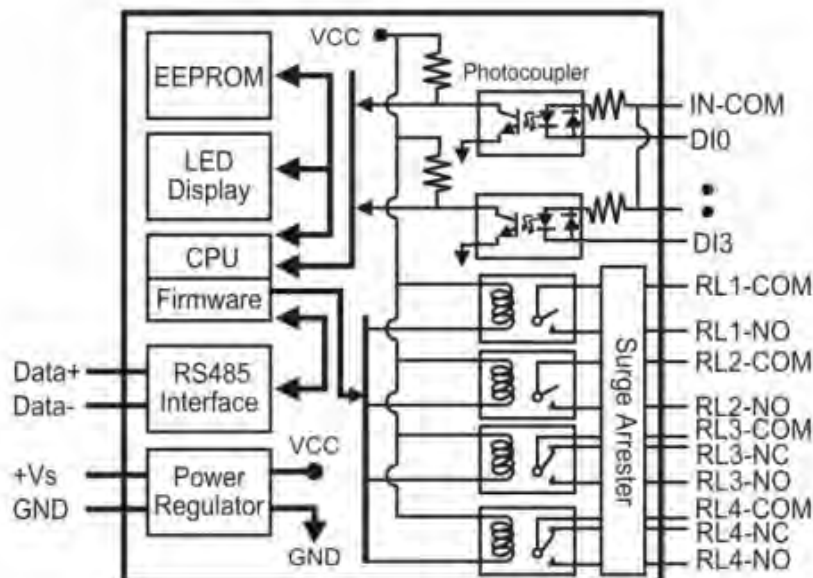
- Power supply: Screw terminal, or external DC adapter.
- Connection type: Screw terminal, accepts AWG #12~30 wires.
- Power consumption: 2.7W.
- Operating environment: 0 to 65C.
- Storage temperature: -20 to 65C.
- Humidity: 10-90% Non-condensing.
- Dimension: 151mm X 75mm X 26mm.
- Weight: 400g.

2. TRP-C28 Hardware Description

2-1. Panel Layout



2-2. Block Diagram

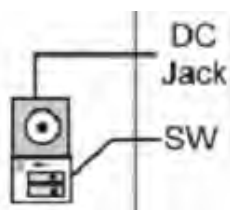


2-3. Pin Definitions

DI3	Digital Input CH 3	RL4-COM	Relay 4 –Common
DI2	Digital Input CH 2	RL4-NC	Relay 4-Normal Close
DI1	Digital Input CH 1	RL4-NO	Relay 4-Normal Open
DI0	Digital Input CH 0	RL3-COM	Relay 3 –Common
IN-COM	External Voltage Input For Digital Input	RL3-NC	Relay 3-Normal Close
NC	None	RL3-NO	Relay 3-Normal Open
DATA+	RS485 +	RL2-COM	Relay 2 -Common
DATA-	RS485 -	RL2-NO	Relay 2-Normal Open
DC 10-30V	Input Voltage DC +10-30V	RL1-COM	Relay 1 –Common
GND	Input Voltage Ground	RL1-NO	Relay 1-Normal Open

2-4. System Configuration Switch

The TRP-C28 support both Modbus/RTU and ASCII communication protocol which can be selected by a 2-pin dip-switch. The dip-switch also provides “back to default” function when the configuration stored in EEPROM is missing such as ID (RS-485 Module address), baud rate and data format.



Default setting:

ID Address: 01,

Baud Rate: 9600,

DIO Mode Type: 40,

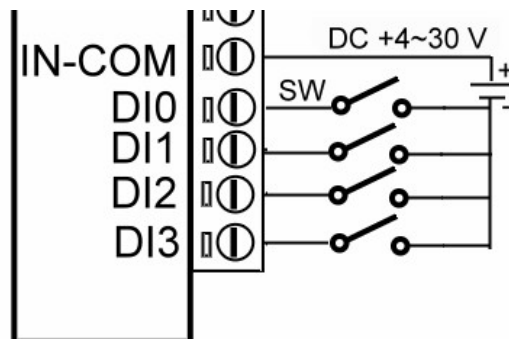
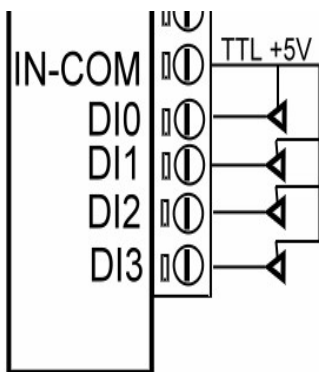
Checksum: Disable,

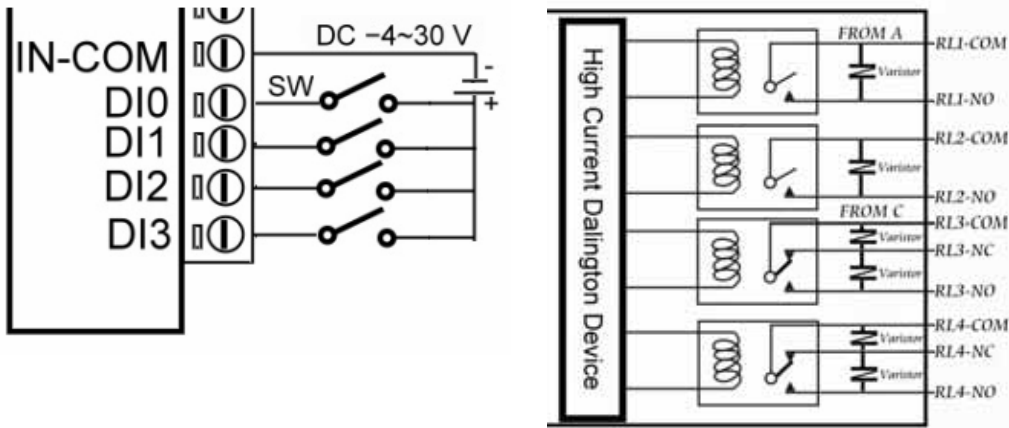
RS485 Communication data format: N, 8, 1.

	<p>Modbus Protocol (Factory) Modbus Communication Protocol.</p> <p>Adjust the switch to “off off” position</p>
	<p>Back to INIT for Modbus</p> <ol style="list-style-type: none"> 1. Adjust the switch from “off off” to “on off” position 2. Reboot.
	<p>ASCII Protocol ACSII communication protocol.</p> <p>Adjust the switch to “off on ” position</p>
	<p>Back to INIT for ASCII</p> <ol style="list-style-type: none"> 1. Adjust the switch to “on off” position 2. Adjust the switch to “on on” position <p>User may adjust the switch in power on status, no system reboot require.</p>
	<p>Enter self- test mode</p> <p>Adjust the switch to on on then reboot.</p>

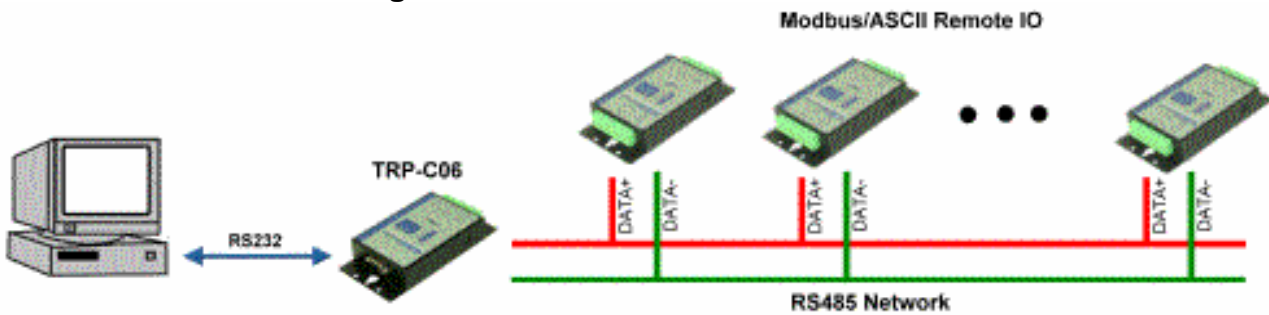
*INIT: ID=00, Baud-Rate: 9600, Data format: 00, Checksum=disable.

2-5. Wire Connection





2-6. Communication Wiring



3. Function description

Power on mode: This is TRP-C28 normal working mode, TRP-C28 can accept the host's command to change the digital output value.

Dual Watchdog:

TRP-C28 provides Module and Host Watchdog. The module watchdog is a hardware watchdog. The host watchdog is a software watchdog. TRP-C28 watchdog is designed to automatically reset the microprocessor when the module fails. The host watchdog monitors the host controller (PC or PLC). The output of module can go to the safe Value State if the host fails.

Safe mode: If watchdog enable on the RS-485 line, the host will send the reset command("Host Ok!") to drive the watchdog timer re-count before timeout, when the host does not send the command before watchdog timeout, the module go to the safe mode. In safe mode, the digital output will not be changed until the watchdog disable.

4. TRPCOM Command Protocol Description

Command Format : " Leading Code " + " ID Address " + " Command " + " CHK " +(cr).

Response Format : " Leading Code " + " ID Address " + " Data " + " CHK " +(cr).

5. How to Calculate the Checksum

1. Calculate all characters of the command string to get the ASCII sum, except the character return.
2. Mask the sum of string with 0FFH.

Example:

Send the command is "\$06M".

Sum of string is "\$"+"0"+"6"+"M"="24H"+"30H"+" 4D"="A1H".....The checksum and [CHK]="A1".

Response string with checksum is:" A1 ".

6. Command List

Command List	Function Description	Index
%IDNPPBBDD(CHK)(cr)	Set the module's configuration	See 8-1 ~ 8-3
#IDPPFD(CHK)(cr)	Digital output data	See 8-4
#IDN(CHK)(cr)	Read digital input N channel counter value	See 8-5
#IDCN(CHK)(cr)	Clear digital input N channel counter value	See 8-6
#IDCW(CHK)(cr)	Clear all digital input counters value	See 8-7
#IDCS(CHK)(cr)	Save all digital input counters value to EEPROM	See 8-8
\$IDLS(CHK)(cr)	Read digital input latched	See 8-9
\$IDC(CHK)(cr)	Clear digital input latched	See 8-10
\$ID6(CHK)(cr)	Read digital input/output status	See 8-11
\$ID2(CHK)(cr)	Read the TRP-C28M configuration	See 8-12
\$IDRS(CHK)(cr)	Reset the module status	See 8-13
\$IDM(CHK)(cr)	Read the module's name	See 8-14
\$IDF(CHK)(cr)	Read the module's firmware version	See 8-15
\$ID5(CHK)(cr)	Read the module reset status	See 8-16
~IDONN(CHK)(cr)	Change the module's name	See 8-17
~IDLEDA(CHK)(cr)	Set the module's LED operating mode	See 8-18
~IDWENN(CHK)(cr)	Enable watchdog and set the timeout value	See 8-19
~IDWD(CHK)(cr)	Disable watchdog	See 8-20
~IDWR(CHK)(cr)	Read watchdog timeout value	See 8-21
~**(CHK)(cr)	System stand by (Host OK!)	See 8-22
~ID4V(CHK)(cr)	Read power on/safe value	See 8-23
~ID5V(CHK)(cr)	Save current digital output status to power on or safe mode	See 8-24
#**(CHK)(cr)	Save current digital input status	See 8-25
\$ID4(CHK)(cr)	Read synchronized data	See 8-26

*We offer the utility to guide you to configure the module; the utility is with on-line RS485 modules scanning and searching function. You can find the utility in the CD which bundled in TRP-C28 standard package.

6-1. Configure TRP-C28

Command	%IDNNPPBBDD(CHK)(cr)	
Syntax Description	%	First leading code
	ID	Address of setting module 00-FF(HEX)
	NN	New address of setting from 00-FF(HEX)
	PP	The Digital I/O module type define to 40
	BB	Set new baud rate (See 8-2)
	DD	Data format (See 8-3)
	CHK	Checksum
	(cr)	Carriage return
Response	!ID(CHK)(cr)	Command valid
	?ID(CHK)(cr)	Command Invalid

6-2 Baud rate setting (BB)

Code number	03	04	05	06	07	08	09	0A
Baud rate	1200	2400	4800	9600	19200	38400	57600	115200

6-3 Data format setting (DD)

Bit	7	6	5	4	3	2	1	0
Function	Input counter 0:Rising 1:Falling	Checksum 0:Disable 1:Enable	0	0	0	0	0	0

Example:

Send command:"%0001400600"...If you turn on the system setting switch, the ID will be reset to "00",

New ID is "01",D I/O type is "40" ,Bard-Rate:9600 ,Checksum setting disable is "00",
Response:"!01".

Example:

Send command:%000340054

New ID="03",Bard-Rate="4800",Checksum="Enable",Response:"!03".

6-4. Digital output data

Command	#DPPFD(CHK)(cr)	
Syntax description	#	First leading code
	ID	Address of setting module 00-FF (HEX)
	PP	Output(relay) command parameter :00,0A Multi-Channel :1L:Single-Channel (L=0-3)
	FD	F=0, D:Sent the data from 0-F output for relay channel
	CHK	Checksum
	(cr)	Carriage return
Response	>(CHK)(cr)	Command valid
	!ID(CHK) (cr)	Parameter invalid (*Command data error !)
	?ID (CHK)(cr)	Command Invalid

*Multi-Channel mode (Output control for one BYTE)

Example:

Send command : " #010A0F".....Data="0F":DO0-DO3="1111", (RL1/RL2/RL3/RL4= ON).

Response: " > " . Command valid.

Example:

Send command: " #010008".....Data="08":DO0-DO3="0001", (RL1/RL2/RL3:OFF/RL4:ON).

Response: " > " . Command valid.

Example:

Send command: " #01000G" ...Data="0G".....Data error!.

Response: " !01 " .Parameter error!.

*Single-Channel mode(Output control for one BIT)

Example:

Send command: " #011001 " Data="01":DO0="1".

Response: " > " . Command valid.

Send command: " #011201 " Data="01":DO2="1".

Response: " > " . Command valid.

Send command:#011300.....Data="00":DO3="0".

Response: " > " ..Command valid.

6-5. Read digital input N channel counter value

Command	#DN(CHK)(cr)	
Syntax description	#	First leading code
	ID	Address of setting module 00-FF (HEX)
	N	Digital input channel from channel 0-3
	CHK	Checksum
	(cr)	Carriage return
Response	!IDCCCC(CHK)(cr)	Command valid CCCCC from 0 – 65535 (DEC)
	?ID(CHK) (cr)	Command Invalid

Example:

Send command:"#012".....Read the TRP-C28M channel 2 counter value.

Response:"!0100023".....The digital input have been trigger 23 times.

**Unless you save value to EEPROM by using the command "#IDCS". The counter's value will reset to 0 if power fail or send command "\$IDRS".*

6-6. Clear digital input N channel counter value

Command	#DCN(CHK)(cr)	
Syntax description	#	First leading code
	ID	Address of setting module 00-FF (HEX)
	C	Clear N channel counter value to 0
	N	N=0-3 *Channel DI0-DI3 digital input
	CHK	Checksum
	(cr)	Carriage return
Response	!ID(CHK)(cr)	Command valid
	?ID (CHK)(cr)	Command Invalid

Example:

Send command:"#01C2", Clear DI2 counter value to 0.

Response:"!01".

**If counter's value already been reset to 0 you must use command "#IDCS" to save the new value in EEPROM again, or the module will load old value if power fail or reset.*

6-7. Clear all digital input counters value

Command	#DCW(CHK)(cr)	
Syntax description	#	First leading code
	ID	Address of setting module 00-FF (HEX)
	CW	Clear all digital input counters value
	CHK	Checksum
	(cr)	Carriage return
Response	!ID(CHK)(cr)	Command valid
	?ID (CHK)(cr)	Command Invalid

Example:

Send command: "#01CW", Clear DI0-DI3 counter value to 0.

Response: "!01".

* After the command "#IDCW" you must save new value in EEPROM again, or the module will load old value if power fail or reset.

6-8. Save all digital input counters value to EEPROM

Command	#DCS(CHK)(cr)	
Syntax description	#	First leading code
	ID	Address of setting module 00-FF (HEX)
	CS	Save all channels counter to E2PROM
	CHK	Checksum
	(cr)	Carriage return
Response	!ID(CHK)(cr)	Command valid
	?ID (CHK)(cr)	Command Invalid

Example:

Send command "#01CS", Save DI0-DI3 counters value to EEPROM.

Response: "!01".

Then after power fail or reset

Send command: "#010".....Read DI0 counter value.

Response: "!0100187".....Last time save value is "187".

6-9.Read digital input latched

Command	\$IDLS(CHK)(cr)	
Syntax description	\$	First leading code
	ID	Address of setting module 00-FF (HEX)
	L	Read digital input latch
	S	S=0 Latch logic 0 S=1 No use
	CHK	Checksum
	(cr)	Carriage return
Response	!IDABCD(CHK)(cr)	ACD:NO USE B:DI0-DI3 latch status
	?ID (CHK)(cr)	Command Invalid

Example:

Send command:"\$01L0".....Read digital input logic 0.

Response:"!010200 "..... DI1 have been latched.

***Digital input latch:** User key in a digital signal to the module and want to read the response of key stoke. However the user will lost the stoke information because the key input is pulse digital input. If user read by the command "\$ID6" in time A and time B, the response is that no key stoke. **Use command \$IDLS can solve this problem, user may read the key stoke in time position A and B.**

6-10.Clear digital input latched

Command	\$IDC(CHK)(cr)	
Syntax description	\$	First leading code
	ID	Address of setting module 00-FF (HEX)
	C	Clear digital input latch
	CHK	Checksum
	(cr)	Carriage return
Response	!ID(CHK)(cr)	Command valid
	?ID (CHK)(cr)	Command Invalid

Example:

Send command:"\$01C".....Clear digital input latch .

Response:"!01 "..... ...Latch have been clear.

6-11. Read digital input/output status

Command	\$ID6(CHK)(cr)	
Syntax description	\$	First leading code
	ID	Address of setting module 00-FF (HEX)
	6	Read digital input/output status
	CHK	Checksum
	(cr)	Carriage return
Response	!IDABCD(CHK)(cr)	A=0, B=RL1-RL4 status, C=0,D=D10-D13 status
	?ID(CHK)(cr)	Command Invalid

Example:

Send command:\$016.....Read digital I/O status .

Response:"!01060C"....."6": Relay (RL1,RL4:OFF,RL2,RL3:ON).

"C": Input DI0 ,DI1 for logic "0 " .

6-12.Read the TRP-C28M configuration

Command	\$ID2(CHK)(cr)	
Syntax description	\$	First leading code
	ID	Address of setting module 00-FF (HEX)
	2	Read configuration
	CHK	Checksum
	(cr)	Carriage return
Response	!IDPPBDD(CHK)(cr)	Command valid PP: Digital I/O type=40 BB: Baud rate DD=Data format (See data format table) Module model BIT0-2="000" TRP-C28 "001" TRP-C24 "010" TRP-C26
	?ID(CHK)(cr)	Command Invalid

Data format table

Bit	7	6	5	4	3	2	1	0
Function	Input counter 0:rising 1:falling	Checksum 0:Disable 1:Enable	0	0	0	0	0	0

Example:

Send command:\$012...Read configuration .

Response:"!01400640"..... DIO type=40,Baud-Rate=9600 (See 7.2) ,Data format=40 Input counter :rising ,Checksum= Enable, Model=0....TRP-C28M (See Data format table),

6-13.Reset the module status

Command	\$IDRS(CHK)(cr)	
Syntax description	\$	First leading code
	ID	Address of setting module 00-FF (HEX)
	RS	Reset the TRP-C28 module
	CHK	Checksum
	(cr)	Carriage return
Response	!ID(CHK)(cr)	Command valid
	?ID(CHK)(cr)	Command Invalid

Example:

Send command:"\$01RS".....Reset TRP-C28M.

Response:"!01 ".....Have been reset.

*Reset will clear all digital output status.

6-14.Read the module's name

Command	\$IDM(CHK)(cr)	
Syntax description	\$	First leading code
	ID	Address of setting module 00-FF (HEX)
	M	Reading TRP-C28's name
	CHK	Checksum
	(cr)	Carriage return
Response	!IDNNNNNN(CHK)(cr)	NNNNNN :The chars from 1 -6 chars
	?ID(CHK)(cr)	Command Invalid

Example:

Send command:\$01M Read the TRP-C28M ' s name.

Response:"!01TRPC28"..... The module's name is "TRPC28".

6-15. Read the module's firmware version

Command		\$IDF(CHK)(cr)
Syntax description	\$	First Leading code
	ID	Address of setting module 00-FF(HEX)
	F	Command for leading module's version
	CHK	Checksum
	(cr)	Carriage return
Response	!IDMODYYMMDD	Mod: The module type YY: Year MM: Month DD: Date
	?ID(CHK)(cr)	

Example:

Send command: "\$01F" Read the TRP-C28M's version.

Response: "!01C28M070412"..... The TRP-C28M's version date is "04/12/2007".

6-16. Read the module reset status

Command		\$ID5(CHK)(cr)
Syntax description	\$	First leading code
	ID	Address of setting module 00-FF(HEX)
	5	Command for reading reset status
	CHK	Checksum
	(cr)	Carriage return
Response	!IDS(CHK)(cr)	S =1 has been reset S=0 not been reset
	?ID(CHK)(cr)	Command Invalid

Example:

Send command: "\$015" Read the TRP-C28M's reset state .

Response: "!011"..... The TRP-C28M has been reset.

***If the module is system halt or detect abnormal voltage, the module will restart and reset the flag to "1".**

6-17.Change the module's name

Command	~IDONN(CHK)(cr)	
Syntax description	~	First leading code
	ID	Address of setting module 00-FF(HEX)
	O	Command for rename TRP-C28's name
	NN	NN:TRP-C28's name, Max.6 characters
	CHK	Checksum
	(cr)	Carriage return
Response	IID(CHK)(cr)	Command valid
	?ID(CHK)(cr)	Command Invalid

Example:

Send command:"~01OABCDE"..... Change the TRP-C28M's name become to "ABCDE".

Response:"!01"..... . Command valid.

Then send the command "\$01M"...read the TRP-C28M's name.

Response:"!01ABCDE"..... .The TRP-C28M's name is "ABCDE".

6-18.Set the module's LED operating mode

	\$IDLEDA(CHK)(cr)	
Syntax description	\$	First Leading code
	ID	Address of setting module 00-FF(HEX)
	A	A=0 Turn on all LED when DIO enable off. A=1 Turn off all LED when DIO enable on.
	CHK	Checksum
	(cr)	Carriage return
Response	IIDON/OFF	Command valid
	?ID(CHK)(cr)	Command invalid

Example:

Send command:"~01LED0"..... Turn off all LED, when logic "1" ON.

Response:"!01OFF".....Command valid.

6-19.Enable watchdog and set the timeout value

Command	~IDWENN(CHK)(cr)	
Syntax description	~	First leading code
	ID	Address of setting module 00-FF (HEX)
	WE	Watchdog Enable
	NN	Set the watchdog time(NN:00-FF) One Unit=0.1 Sec FF: MAX. 25.5 Sec
	(cr)	Carriage return
Response	!ID(CHK)(cr)	Command valid
	?ID(CHK)(cr)	Command Invalid

Example:

Send Command:~01WEFF"..... Set the watchdog time for 25.5 Sec.

Response:"!01"..... . Command valid, When module count to 25.5 Sec the watchdog will into safe mode ,then PWR LED will flash, before timeout if host send "~**", the watchdog will re-counted!.

*When the module is in safe mode, any digital output command are invalid, you will get the response "!IDWE" , which means the system is in safe mode, you can't change output status.

*Reset and power fail will not affect watchdog mode.

6-20. Disable watchdog

Command	~IDWD(CHK)(cr)	
Syntax description	~	First leading code
	ID	Address of setting module 00-FF (HEX)
	WD	Disable watchdog
	(cr)	Carriage return
Response	!ID(CHK)(cr)	Command valid
	?ID(CHK)(cr)	Command Invalid

Example:

Send Command:~01WD"..... Watchdog disable!.

Response:"!01"..... . Command valid, System LED will stop flashing!.

6-21. Read watchdog timeout value

Command	~IDWR(CHK)(cr)	
Syntax description	~	First leading code
	ID	Address of setting module 00-FF (HEX)
	WR	Read watchdog timeout value
	CHK	Checksum
	(cr)	Carriage return
Response	!!DWANN (CHK)(cr) !!D (CHK)(cr)	W: watchdog A=E: watchdog enable D: watchdog disable or safe mode NN: watchdog timeout value
	?ID(CHK)(cr)	Command Invalid

Example:

Send Command: "~01WR".... Read watchdog timeout value.

Response: "!01WD0F"..... . Command valid, set the watchdog timeout is "0F"..1.6 Sec.

6-22. System stand by (Host OK!)

Command	~**(CHK)(cr)	
Syntax description	~	First leading code
	**	Host ok!
	CHK	Checksum
	(cr)	Carriage return
Response	No Response	



Before watchdog timeout, Send the Host ok ! NN: Watchdog timeout value

*If watchdog is in enable , send the Host Ok! " command before watchdog timeout (B) the watchdog will re-count, PWR LED will flashing after watchdog timeout.

6-23. Read power on/safe value

Command	~ID4V(CHK)(cr)	
Syntax description	~	First leading code
	ID	Address of setting module 00-FF (HEX)
	4	Read power on/safe digital IO value
	V	V=P: Power On V=S: Safe value
	CHK	Checksum
	(cr)	Carriage return
Response	IIDABCD (CHK)(cr)	A=0 B:DO0~DO3 C=0 D:DIO~ DI3
	?ID(CHK)(cr)	Command Invalid

Example:

Send Command:~014S.....Read safe mode digital output status.

Response:" !01080F"..... . Command valid, safe mode digital IO status is "080F".

6-24. Save current digital output status to power on or safe mode

Command	~ID5V(CHK)(cr)	
Syntax description	~	First leading code
	ID	Address of setting module 00-FF (HEX)
	5	Save the current digital output is safe or power on mode
	V	V=P Power On V=S Safe value
	(cr)	Carriage return
Response	IID (CHK)(cr)	Command valid
	?ID(CHK)(cr)	Command Invalid

Example:

Send Command:"#010A0F"...Relay output RL1~RL4= ON/ON/ON/ON

Response:" !01"..... . Command valid!

Then Send Command : " ~015P"....Set the relay output for power on ,.After power fail or reset ,
The module will load current DO status.

6-25. Save current digital input status

Command	#*(CHK)(cr)	
Syntax description	#	First leading code
	**	Save current digital IO status(All modules on line).
	CHK	Checksum
	(cr)	Carriage return
Response	No Response	

Example:

Send Command:"#**" Save current digital IO status of all modules on line.

6-26.Read synchronized data

Command	\$ID4(CHK)(cr)	
Syntax description	\$	First leading code
	ID	Address of setting module 00-FF (HEX)
	4	Read synchronized data
	CHK	Checksum
	(cr)	Carriage return
Response	IABCDE00(CHK)(cr)	Command valid A=1:Have been send"#**" A=0:Have been read BC: Digital output status DE: Digital input status
	?ID	Before send this command do not send the command "#**"

Example:

Send Command:"#**"Save current digital IO status(All modules on line).

Then send command:"\$014" Read synchronized data

Response:"!1010E00"...."1":Have been send the "#**",the DIO status valid is "010E" *After Read *synchronized data ,A value is"1", Read again become to "0".

7. Modbus/RTU Command Description

The TRP-C28 support Modbus/RTU protocol, The serial communication data format is

Start bit: 1

Data bit: 8

Parity check: None

Stop bit: 1

Baud-rate: 1200bps~115200bps.

7-1.Modbus Syntax:

Command Format :ID(HEX)+FC(HEX)+SU(HEX)+DA(HEX) or RC(HEX)+CRC16(HEX).

Response Format : ID(HEX)+FC(HEX)+SU(HEX)+DA(HEX) or RC(HEX)+CRC16(HEX).

Error Format: ID(HEX)+ FC(HEX)+ CRC16(HEX).

ID: RS485 Device Address (HEX).....1~247 1Byte.

FC: Function Code (HEX)...1 Byte.

SU: Sub Function (HEX).....1 Byte

DA: Data Format....No Limit

RC: Reserved code...No Limit

CRC: Cyclic Redundancy Check...2 Byte

****Error Response: If CRC IS mismatches error the response is empty!***

7-2. Modbus RTU Command List

Command List	Function Description	Index
ID 46 00 00 (CRC)	Read the module's name	10-1
ID 46 04 IP 00 00 00 (CRC)	Set up the module's address	10-2
ID 46 05 00 (CRC)	Read the module's configuration	10-3
ID 46 06 00 BD 00 00 00 00 00 00 (CRC)	Set up the module's configuration	10-4
ID 46 07 00 (CRC)	Read the module's Firmware	10-5
ID 46 08 00(CRC)	Read module reset status	10-6
ID 46 09 00 (CRC)	Set up the module reset	10-7
ID 46 0B WS 00 (CRC)	Set up watchdog timeout value or disable	10-8
ID 46 0C 00 (CRC)	Read watchdog status	10-9
ID 46 0D 0S 00 (CRC)	Set up LED panel status	10-10
ID 46 27 DD 00 (CRC)	Set up power on mode	10-11
ID 46 28 00 (CRC)	Read power on mode value	10-12
ID 46 29 DD 00 (CRC)	Set up safe mode value	10-13
ID 46 2A 00 (CRC)	Read safe mode value	10-14
ID 05 00 NN DD 00 (CRC)	Set up single channel digital output status	10-15
ID 0F 00 00 00 04 01 DD (CRC)	Set up the digital output status	10-16
ID 01 00 SS 00 04 (CRC)	Read digital input/output status	10-17
ID 02 00 SS 00 04 (CRC)	Read digital input status	10-18
ID 03 00 SS 00 NN (CRC)	Read digital input counter value	10-19
ID 04 00 SS 00 NN (CRC)	Read digital input counter value	10-20
ID 0F SS NN 00 CN BC 00 (CRC)	Clear/save DI counter value and set up DO output	10-21

7-3.Read the module's name

Command	ID 46 00 00 (CRC)	
Syntax Description	ID	Address of setting module 1~247
	46	Function code
	00	Read module's name
	00	Reserved code
Response	ID 46 00 00 0C 28 00 (CRC)	ID 46 00 00Module command Line 0C 28 :Module's Name is C28
	ID C6 00(CRC)	ID C6 (CRC) C6:Function Code 00: Reserved code

EX: Send Command: " 01 46 00 00 " .Read the TRP-C28's name

Response: " 01 46 00 00 0C 28 00 ".....Module's name is C28

Error Response: "01 C6 00".....Error code

7-4.Set up the module's address

Command	ID 46 04 IP 00 00 00 (CRC)	
Syntax Description	ID	Address of setting module 1~247
	46	Function Code
	04	Set up module's ID
	IP	New module's ID
	00 00 00	Reserved code
Response	ID 46 04 00 00 00 00 (CRC)	ID 46 04 00 00 00 00Change module ID OK!
	ID C6 00(CRC)	ID C6 (CRC) C6:Function Code 00: Reserved code

EX: Send Command: " 02 46 04 03 00 00 00 " .Set up the new ID is "03".

Response: " 01 46 04 00 00 00 00 ".....New ID is 03.

Error Response: "01 C6 00".....Error code.

7-5. Read the module's configuration

Command	ID 46 05 00 (CRC)	
Syntax Description	ID	Address of setting module 1~247
	46	Function Code
	05	Read module's configuration
	00	Reserved code
Response	ID 46 05 00 BD 00 00 00 00 00 00 (CRC)	ID 46 05 00Module command Line BD :Baud Rate See 8-2 00 00 00 00 00 00 : Reserved code
	ID C6 00(CRC)	ID C6 (CRC) C6:Function Code 00: Reserved code

Example:

Send Command: " 01 46 05 00 " .Read TRP-C28's configuration.

Response:"01 46 05 00 **06** 00 00 00 00 00 00 "06:BD=9600...See 8-2 baud rate table.

Error Response: "01 C6 00".....Error code.

7-6. Set up the module's configuration

Command	ID 46 06 00 BD 00 00 00 00 00 00 (CRC)	
Syntax Description	ID	Address of setting module 1~247
	46	Function Code
	06	Set up module's configuration
	00 BD 00 00 00 00 00 00	BD : Baud-Rate....See 8-2
Response	ID 46 06 00 00 00 00 00 00 00 (CRC)	ID 46 06 00Module command Line 00 00 00 00 00 00 00 00 : Reserved code
	ID C6 00 (CRC)	ID C6 (CRC) C6:Function Code 00: Reserved code

Example:

Send Command: " 01 46 06 00 **0A** 00 00 00 00 00 00 " .Set up TRP-C28's configuration.

Response:"01 46 06 00 00 00 00 00 00 00 " ...Set up OK!.

Error Response: "01 C6 00".....Error code. ***Baud-Rate set to 115200**

7-7.Read the module's Firmware

Command	ID 46 07 00 (CRC)	
Syntax Description	ID	Address of setting module 1~247
	46	Function Code
	07	Read module's Firmware
	00	Reserved code
Response	ID 46 07 YY MM DD 00(CRC)	ID 46 07Module command Line YY:Year MM :Month DD:Date 00 : Reserved code
	ID C6 00 (CRC)	ID C6 (CRC) C6:Function Code 00: Reserved code

Example:

Send Command: " 01 46 07 00 " .Set up TRP-C28's configuration.

Response:"01 46 07 07 04 06 00"...APR. 04.2007 TRP-C28 Firmware Version.

Error Response: "01 C6 00".....Error code.

7-8.Read module reset status

Command	ID 46 08 00(CRC)	
Syntax Description	ID	Address of setting module 1~247
	46	Function Code
	08	Read Module Reset status
	00	Reserved code
Response	ID 46 08 0D 00 (CRC)	D=0 Have been read, D=1 Have been reset
	ID C6 00 (CRC)	ID C6 (CRC) C6:Function Code 00: Reserved code

Example:

Send Command: " 01 46 08 00 " ...Read the module's digital input status.

Response:"01 46 08 1 00 ..have been reset.

7-9.Set up the module reset

Command	ID 46 09 00 (CRC)	
Syntax Description	ID	Address of setting module 1~247
	46	Function Code
	09	Module Reset
	00	Reserved code
Response	ID 46 09 00 (CRC)	Command valid
	ID C6 00 (CRC)	ID C6 (CRC) C6:Function Code 00: Reserved code

Example:

Send Command: " 01 46 09 00 " ...Read the module's digital input status.

Response:"01 46 09 00 ..Command valid.

Error Response: "01 C6 00"...Error code.

7-10.Set up watchdog timeout value or disable

Command	ID 46 0B WS 00 (CRC)	
Syntax Description	ID	Address of setting module 1~247
	46	Function Code
	2B	Set up power on mode
	WS	WS=00 Watchdog Disable Watchdog timer from 01~FF (100ms~25.5 Sec)
	00	Reserved code
Response	ID 46 0B 00(CRC)	00 ID 46 0B 00Command valid
	ID C6 00 (CRC)	ID C6 (CRC) C6:Function Code 00: Reserved code

Example:

Send Command: " 01 46 0B 05 00 " .Set up TRP-C28's watchdog timer=500ms.

Response:"01 46 0B 00"...Command valid .

Error Response: "01 C6 00".....Error code.

7-11.Read watchdog status

Command	ID 46 0C 00 (CRC)	
Syntax Description	ID	Address of setting module 1~247
	46	Function Code
	0C	Read watchdog value
	00	Reserved code
Response	ID 46 0C WT (CRC)	ID 46 0CModule command line WT: Watch dog value
	ID C6 00 (CRC)	ID C6 (CRC) C6:Function Code 00: Reserved code

Example:

Send Command: " 01 46 0C 00 " ...Read TRP-C28's watchdog value.

Response:"01 46 0C 01 0F.

Error Response: "01 C6 00"...Error code.

7-12.Set up panel LED status

Command	ID 46 0D 0S 00 (CRC)	
Syntax Description	ID	Address of setting module 1~247
	46	Function Code
	0D	Set Up LED Status Value
	0S	S = 0 Turn on all LED when DIO enable off S = 1 Turn off all LED when DIO enable on
	00	Reserved code
Response	ID 46 0D 00 (CRC)	ID 46 0DModule command line
	ID C6 00 (CRC)	ID C6 (CRC) C6:Function Code 00: Reserved code

Example:

Send Command: " 01 46 0D 01 00.

Response:"01 46 0D 00.

Error Response: "01 C6 00"...Error code.

7-13.Set up power on mode

Command	ID 46 27 DD 00 (CRC)	
Syntax Description	ID	Address of setting module 1~247
	46	Function Code
	27	Set up power on mode
	DD	DD: power on value
	00	Reserved code
Response	ID 46 27 00(CRC)	00 ID 46 27 00Command valid
	ID C6 00 (CRC)	ID C6 (CRC) C6:Function Code 00: Reserved code

Example:

Send Command: " 01 46 27 01 00 " .Set up TRP-C28's power on value.

Response:"01 46 27 00"...Command valid.

Error Response: "01 C6 00".....Error code.

7-14.Read power on mode value

Command	ID 46 28 00 (CRC)	
Syntax Description	ID	Address of setting module 1~247
	46	Function Code
	28	Read power on value
	00	Reserved code
Response	ID 46 28 DD (CRC)	00 46 28Module command line DD : Power on value
	ID C6 00 (CRC)	ID C6 (CRC) C6:Function Code 00: Reserved code

Example:

Send Command: " 01 46 28 00 " .Read TRP-C28's power on value.

Response:"01 46 28 08 "...Power on Relay status RL1~RL4 is off off off on.

Error Response: "01 C6 00".....Error code.

***Power on mode: Digital output states when power on.**

7-15.Set up safe mode value

Command	ID 46 29 DD 00 (CRC)	
Syntax Description	ID	Address of setting module 1~247
	46	Function Code
	29	Set up safe mode value
	DD	DD: Safe mode digital output value
	00	Reserved code
Response	ID 46 29 00(CRC)	ID 46 29 00Command valid.
	ID C6 00 (CRC)	ID C6 (CRC) C6:Function Code 00: Reserved code

Example:

Send Command: " 01 46 29 14 00 " .Set up TRP-C28's safe mode value.

Response:"01 46 29 00".

Error Response: "01 C6 00".....Error code.

***Power on mode: Digital output states when watchdog timeout.**

7-16.Read safe mode value

Command	ID 46 2A 00 (CRC)	
Syntax Description	ID	Address of setting module 1~247
	46	Function Code
	2A	Read power on mode
	00	Reserved code
Response	ID 46 2A DD (CRC)	00 46 2A 00Module command line DD : Safe mode value
	ID C6 00 (CRC)	ID C6 (CRC) C6:Function Code 00: Reserved code

Example:

Send Command: " 01 46 2A 00 " .Read TRP-C28's safe mode value.

Response:"01 46 2A 12 "...Safe mode value is "12".

Error Response: "01 C6 00".....Error code.

7-17.Set up single channel digital output status

Command	ID 05 00 NN DD 00 (CRC)	
Syntax Description	ID	Address of setting module 1~247
	05	Function Code
	00 NN	NN=00~03 Channel number
	DD	Output value DD=00 Relay OFF, DD= FF Relay ON
	00	Reserved code
Response	ID 05 00 NN DD 00 (CRC)	Command valid
	ID 85 FF (CRC)	Watchdog mode status
	ID 85 ER (CRC)	ID 85 :Error Code ER=00 Syntax error ER=01 Data Format error ER=02 Start channel error ER=03 I/O out of range

***Single-Channel mode (Output control for 1 Bit).**

Example:

Send command : " 01 05 00 03 FF 00 ".....Set up the relay RL4 on.

Response: " 01 05 00 03 FF 00 "..... Command valid.

Send command : " 01 05 00 02 00 00 ".....Set up the relay RL3 off.

Response: " 01 05 00 02 00 00 "..... Command valid.

7-18.Set up the digital output status

Command	ID 0F 00 00 00 04 01 DD (CRC)	
Syntax Description	ID	Address of setting module 1~247
	0F	Function Code
	00 00	Start channel number =00
	00 04	Output channel number
	01	Byte Counter
	DD	Output value
Response	ID 0F 00 00 00 04 (CRC)	Command valid
	ID 8F FF (CRC)	Watchdog mode status

	ID 8F ER (CRC)	ID 85 :Function Code ER=00 Syntax error ER=01 Data Format error ER=02 Start channel error ER=03 I/O out of range
--	----------------	---

*Multi-Channel mode (Output control for 1 BYTE)

Example:

Send command : " 01 0F 00 00 00 04 01 0E ".....Set up the relay RL1~RL3 on.

Response: " 01 0F 00 00 00 04 " Command valid.

*When the module is in safe mode, any digital output command are invalid, you will get the response "ID 8F FF", which means the system is in safe mode, you can't change output status until the watchdog disable.

*Reset and power fail will not affect watchdog mode.

7-19.Read digital input/output status

Command	ID 01 00 SS 00 04 (CRC)	
Syntax Description	ID	Address of setting module 1~247
	01	Function Code
	00	Start channel number
	SS	SS=00 Read DO status SS=40 Read latch low SS=60 Read latch high SS=20 Read DI status
	00 04	Output channel number
Response	ID 01 BC DD (CRC)	ID 01 :Command Line BC: Byte counter DD: DIO Status
	ID 81 ER (CRC)	ID 81 :Function Code ER=00 Syntax error ER=01 Data Format error ER=02 Start channel error ER=03 I/O out of range

Example:

Send command : " 01 01 00 00 00 04 ".....Read DO status.

Response: " 01 01 01 0E " Relay 1~3 =on,RL4=off.

Send command : " 01 01 00 20 00 04 ".....Read DI status.

Response: " 01 01 01 05 " Digital input status is 05.

7-20.Read digital input status

Command	ID 02 00 SS 00 04 (CRC)	
Syntax Description	ID	Address of setting module 1~247
	02	Function Code
	00	Start channel number
	SS	SS=00 Read DI status
	00 04	Output channel number
Response	ID 02 BC DD (CRC)	ID 02 :Command Line BC: Byte counter DD: DIO Status
	ID 82 ER (CRC)	ID 82 :Function Code ER=00 Syntax error ER=01 Data Format error ER=02 Start channel error ER=03 I/O out of range

Example:

Send command : " 01 01 00 20 00 04 ".....Read DI status.

Response: " 01 01 01 05 " Digital input status is 05.

7-21. Read digital input counter value

Command	ID 03 00 SS 00 NN (CRC)	
Syntax Description	ID	Address of setting module 1~247
	03	Function Code
	00 SS	Start channel number SS=00
	00 NN	Channel number NN=01~04
Response	ID 03 BC DATA (CRC)	ID 03Module command Line BC: Byte Counter ,Each channel 2byte DATA :Channel counter value
	ID 83 ER (CRC)	ID 83 :Error Code ER=00 Syntax error ER=01 Data Format error ER=02 Start channel error ER=03 I/O out of range

7-22. Read digital input counter value

Command	ID 04 00 SS 00 NN (CRC)	
Syntax Description	ID	Address of setting module 1~247
	04	Function Code
	00 SS	Start channel number SS=00
	00 NN	Channel number NN=01~04
Response	ID 04 BC DATA (CRC)	ID 04Module command Line BC: Byte Counter ,Each channel 2byte DATA :Channel counter value
	ID 84 ER (CRC)	ID 84 :Error Code ER=00 Syntax error ER=01 Data Format error ER=02 Start channel error ER=03 I/O out of range

Example:

Send command : "01 04 00 00 00 04".....Read channel 0~3 counter value.

Response: " 01 04 08 **00 28** 00 5A **00 53** 00 55 " Command valid.

7-23.Clear/save DI counter value and set up DO output

Command	ID 0F SS NN 00 CN BC 00 (CRC)	
Syntax Description	ID	Address of setting module 1~247
	0F	Function Code
	SS	SS=00 Digital Output SS=02 Clear Counter value SS=03 Save Counter value to EEPROM
	NN	Start channel number NN=00~03
	00 CN	Channel number 1~4
	BC	Byte Counter=01
	00	Output value
	Response	ID 0F SS NN 00 00 (CRC)
ID 8F ER (CRC)		ID 85 :Function Code ER=00 Syntax error ER=01 Data Format error ER=02 Start channel error ER=03 I/O out of range

Example:

Send command : " 01 0F 02 00 00 04 01 00 ".....Clear channel 0~3 counter value.

Response: " 01 0F 02 00 00 0F " Command valid.

Send command : " 01 0F 03 00 00 04 01 00 ".....Save all channel counter to EEPROM

Response: " 01 0F 02 00 00 0F " Command valid.

Send command : " 01 0F 00 00 00 04 01 03 ".....Set the relay output

Response: " 01 0F 00 00 00 04 " Command valid.

8. How to use the utility for windows

The TRPCOM utility can help you to test the module's data transmit and receive, digital input and output communication status. User may download TRPCOM software from TRYCOM web www.trycom.com.tw

1.The "Setting " function is for user to initiate the software to set the Com Port from 1 to 8 and setting the Baud-Rate from 1200 to 19200,Checksum Enable or Disable. See Figure 1

***The Module Factory Setting is "9600" and "ID" is 01, Checksum is Disable.**

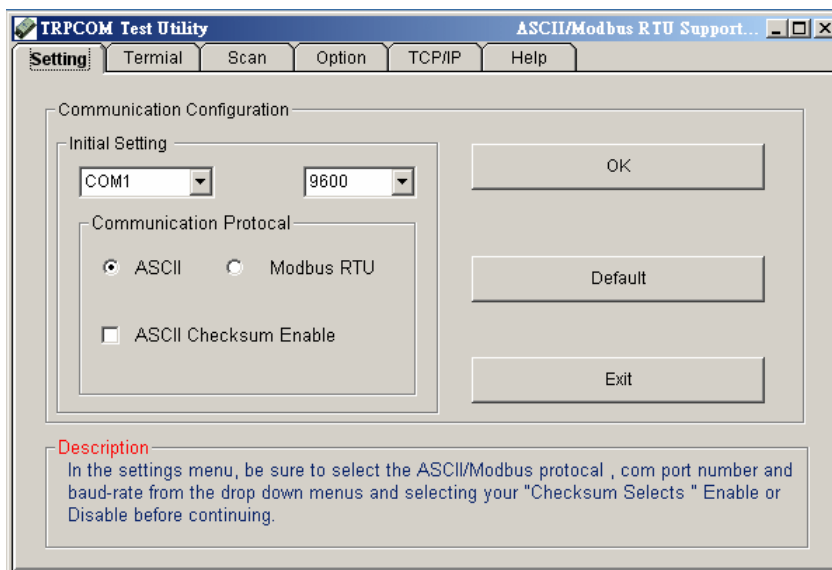


Figure 1

2.The "Terminal" function is for user to input command, user can control all of module's digital input/output status or wait to get module response status See Figure 2

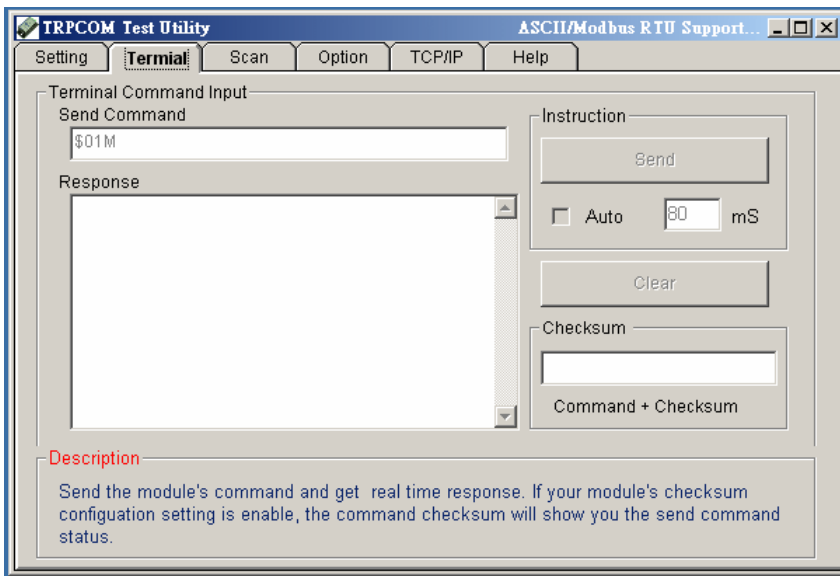


Figure 2

If you don't know the baud-rate, ID or, Checksum you may select "Scan" to find the module's setting.

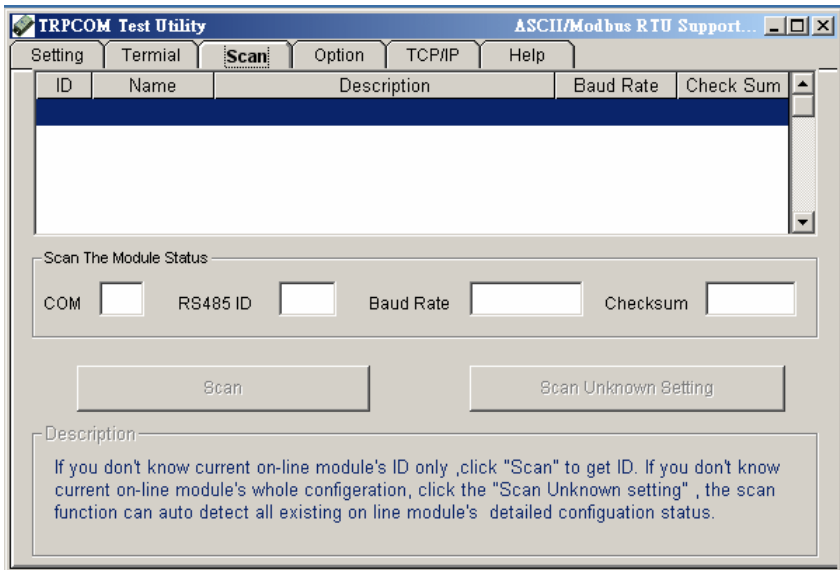
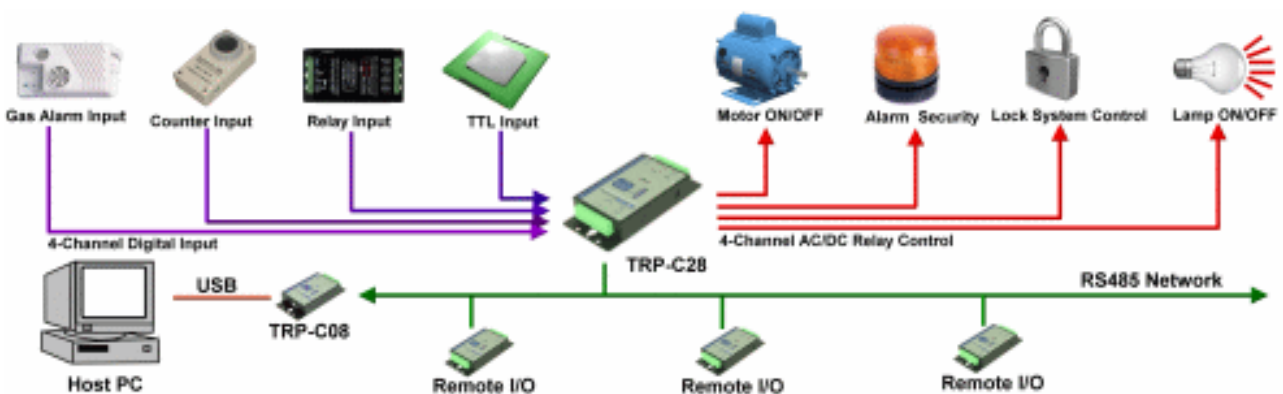


Figure 3

9. Application



10. Using the Modbus poll for test the TRP-DIO and AIO

The **Modbus poll** is the very popular utility that supports the Modbus RTU/ASCII and Modbus TCP/IP, you can download that for test the any TRP-DIO and AIO basic Modbus function.

The download website is http://www.modbustools.com/modbus_poll.asp.