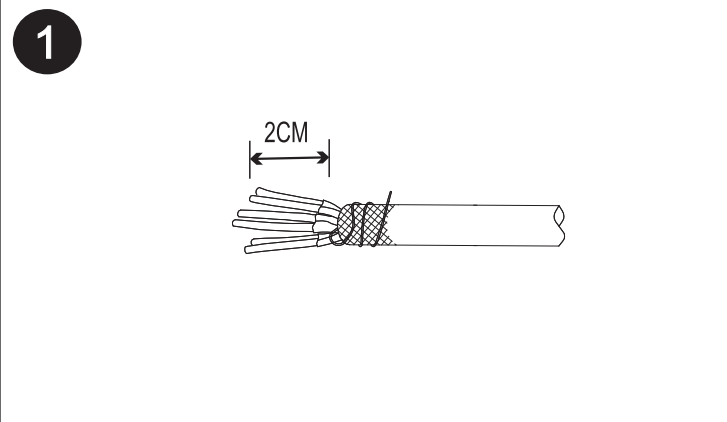
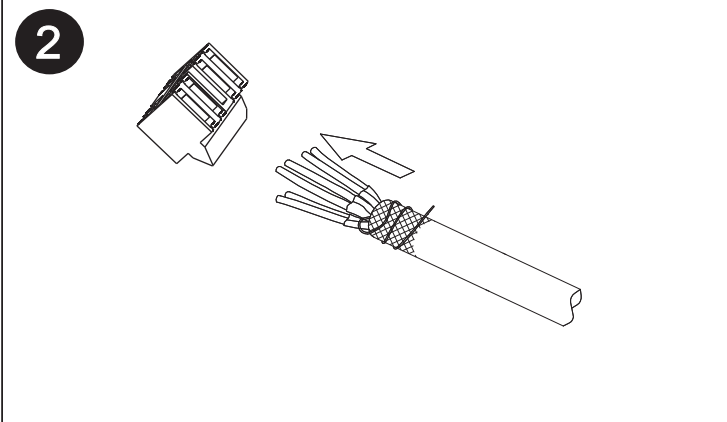


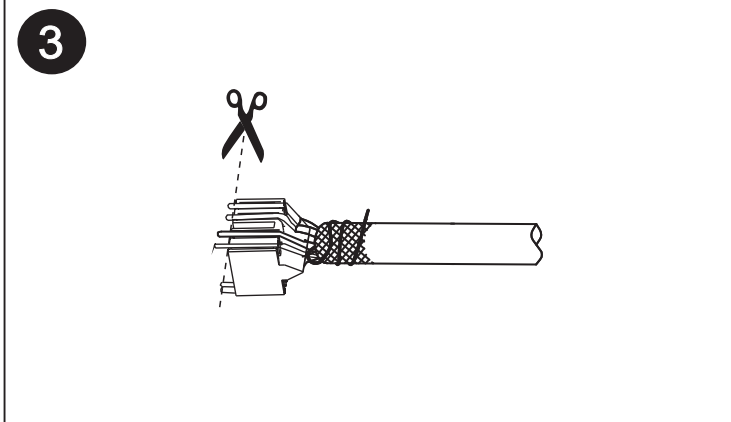
CAT6A SHIELDED TOOLLESS PLUG INSTRUCTION MANUAL



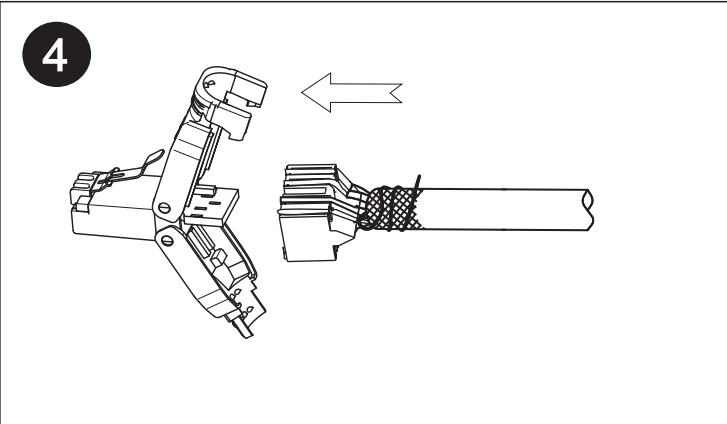
TAKE OF THE CABLE JACKET BY TOOL ABOUT 2CM



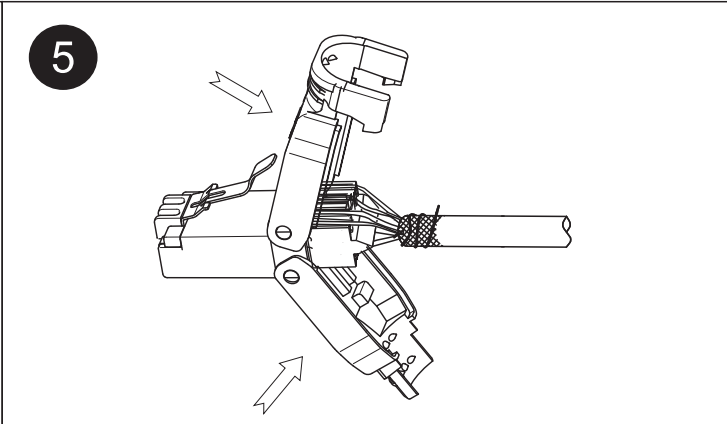
PUT CABLE INTO IDC ACCORDING TERMINAL T568



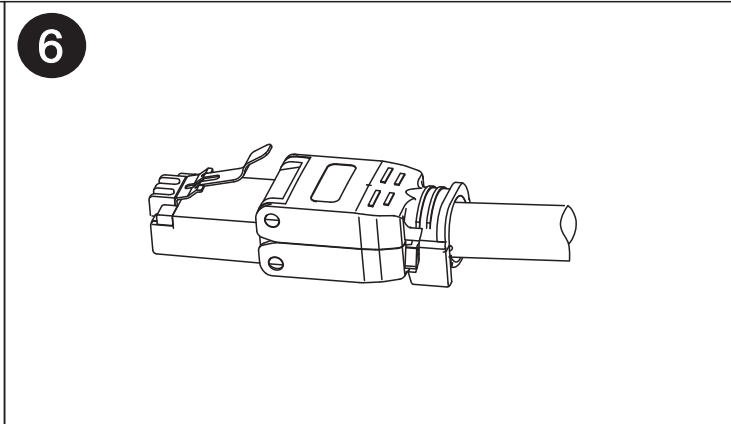
CUT AWAY THE EXTRA WIRES



TO INSERT IDC INTO PCB



PRESS DOWN BOTH SIDE METAL HOUSING UNTIL THE WIRE INTO THE IDC PIN CHASE



THE FINISHED PRODUCT