

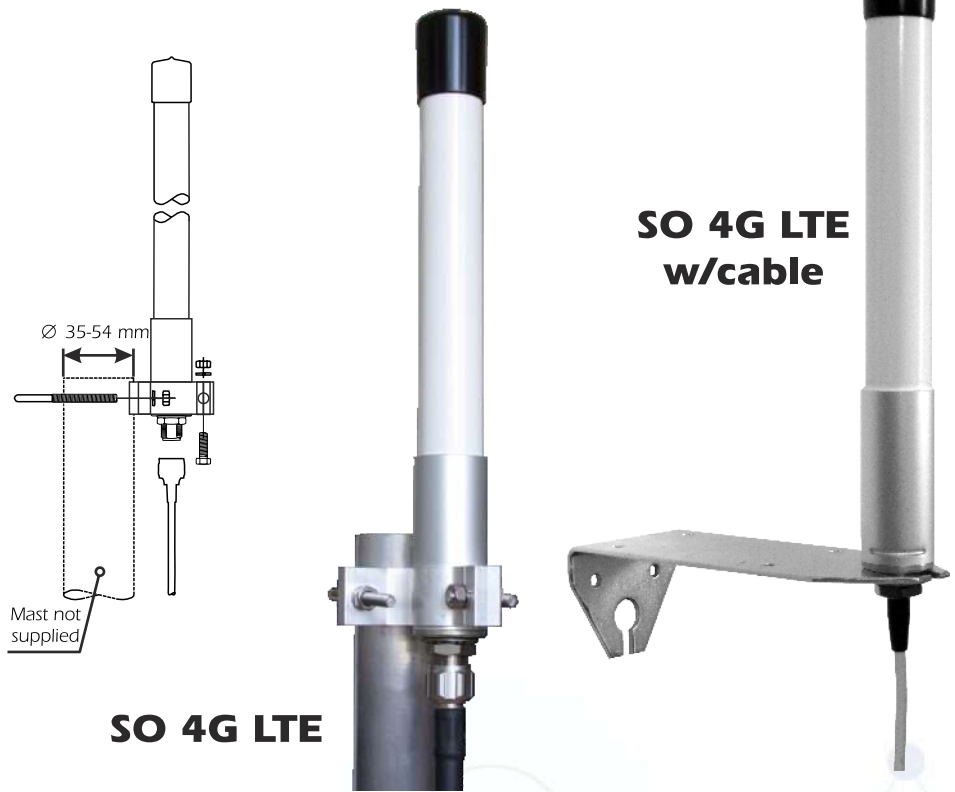
## SO 4G LTE

### Sirio Omnidirectional 4G LTE bands

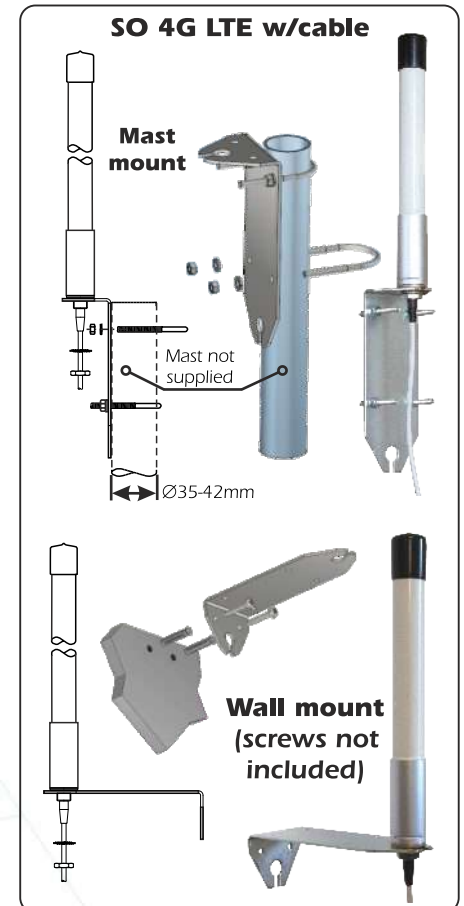
**Features:**

- # Base station antenna, Omnidirectional
- # High quality PCB radiator protected by fiberglass tube
- # For LTE 800, ISM 868 & 915, AMPS, GSM dual, UMTS, WLAN, LTE systems

**NEW MODELS**



**SO 4G LTE w/cable**



Electrical Data	SO 4G LTE	SO 4G LTE cable version
Type	Colinear Dipole Array	
Frequency Range @ SWR ≤ 2.2	790 - 960 MHz (LTE, ISM, GSM 900) & 1.71 - 2.7 GHz (GSM 1.8, PCN, DECT, UMTS, WLAN, LTE)	
Impedance	50 Ω	
Radiation (H-plane)	360° omnidirectional	
Radiation (E-plane)	Beamwidth @ -3 dB: see diagrams	
Radiation angle deg.	see diagrams	
Polarization	Linear Vertical	
Gain	2 dBi @ 790-960 MHz; 4 dBi @ 1.71-2.7 GHz	
Max Power (CW) @ 30° C	25 Watts	
Cable Type / Length	/	Low Loss cable / 5m, 16.4 ft
Connector	N-female, gold plated central pin	SMA-male, other type on request
<b>Mechanical Data</b>		
Housing & Radome Material	Fiberglass, Anodized aluminium, Chromed Brass	
Bracket & Hardware Material	Aluminium, Stainless steel	Galvanized steel
Wind Load / Resistance	14 N @ 150 Km/h, 93 mi/h / 200 Km/h, 124 mi/h	
Wind Surface	0.011 m <sup>2</sup> ; 0.12 ft <sup>2</sup>	
Height (approx.)	300 mm, 1 ft	
Weight (without bracket, approx.)	230 gr, 0.5 lb	495 gr, 1.1 lb
Operating Temperature	-30 °C to +70 °C	
Installation type	Mast: Ø 35-54 mm, Ø 1.4-2.1 in with V-bolt	M3 bracket: Mast: Ø35-42mm, Ø1.4-1.65 in with U-bolt Wall: with screws (not included)
P/N	2111520.00	2111520.80

