

SMP series

High gain, Sirio Mini Panel

SMP Features:

- # Compact base station antenna, High-gain
- # Indoor-Outdoor, Directional, Multi-band
- # High quality PCB radiator protected by UV stabilized radome
- # SMP 4G LTE: For LTE 800, GSM 900&1800,DCS, UMTS, LTE & W-LAN 2.4 systems
- SMP 24-33: W-LAN 2.4 & LTE 2.3 & 3.4

SMP MiMo Features:

- # Compact base station antenna, High-gain
- # Indoor-Outdoor, Directional, Multi-band
- # 2x Wide band elements in single case conceived for MiMo systems
- # High quality PCB radiator protected by UV stabilized radome
- # SMP 4G LTE MiMo: For LTE 800, GSM 900&1800, DCS, UMTS, LTE & W-LAN 2.4 systems
- # UP-GRADE: new Low-loss white cables



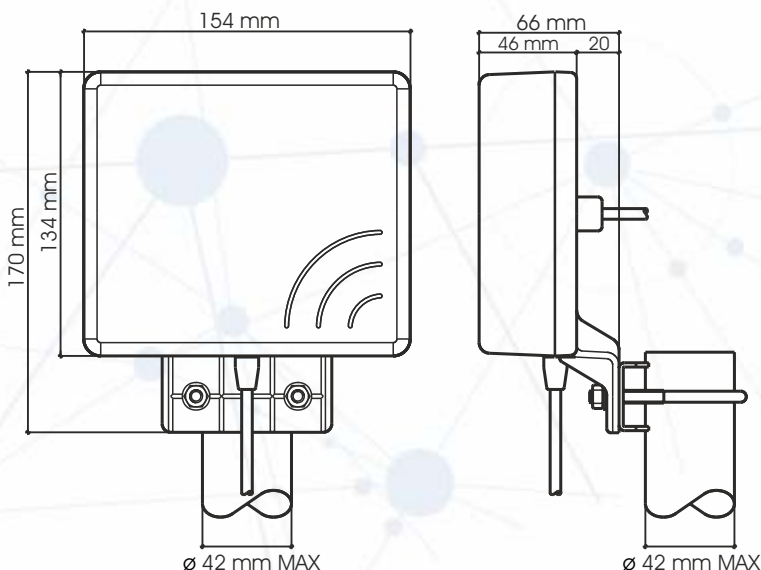
SMP 4G LTE
SMP 24-33



SMP 4G LTE
MIMO

UP-GRADED

TB-1 optional tilting bracket
Mast: Ø35-50mm, Ø1.4-2 in with clamp included
Wall: with mounting screws (not included)
P/N 2519703.00

SMP series

High gain, Sirio Mini Panel

Electrical Data	SMP 4G LTE	SMP 4G LTE MiMo	SMP 24-33
Type	Mini Panel Antenna for Indoor or Outdoor use	Directional Mini Panel- 2 wideband elements	
Frequency Range @ SWR ≤2	790 - 960 MHz (LTE 800, GSM 900) & 1.71 - 2.7 GHz (DCS, UMTS, LTE, WLAN)	790 - 960 MHz (LTE 800, GSM 900) & 1.71 - 2.7 GHz (DCS, UMTS, LTE, WLAN)	2.3 - 2.7 GHz (W-LAN 2.4, LTE 2.3) & 3.3 - 3.8 GHz (LTE 3.4)
Impedance	50 Ω		
Radiation Beamwidth @ -3dB	see Typical Radiation Pattern		
Front to back ratio	≥12 dB @ 790-960 MHz. ≥16 @ 1.71-1.88GHz ≥20 dB @ 1.92-2.17 GHz. ≥10 @ 2.3-2.7 GHz	≥ 10 dB @ 790-960 MHz ≥ 15 dB @ 1.71-2.7 GHz	≥ 15 dB @ 2.3-2.7 GHz ≥ 20 dB @ 3.3-3.8 GHz
Polarization	Linear vertical		
Gain	6+7 dBi @ 790-960 MHz 9 dBi @ 1.71-2.17 GHz 8+9 dBi @ 2.3-2.7 GHz	5 dBi @ 790-960 MHz; 8 dBi @ 1.71-2.7 GHz (each element)	10 dBi @ 2.3-2.7 GHz; 13 dBi @ 3.3-3.8 GHz
Max Power (CW) @ 30° C	30 Watts @ 790-960 MHz 15 Watts @ 1.71-1.88 GHz 10 Watts @ 1.92-2.17 & 2.3-2.7 GHz	20 Watts @ 790-960 MHz; 8 Watts @ 1.71-2.7 GHz (each element)	6 Watts
Grounding Protection	All metal parts are DC-grounded, the inner conductor shows a DC-short	All metal parts are DC-grounded, the inner conductor shows a open-circuit	All metal parts are DC-grounded, the inner conductor shows a open-circuit
Cable Type / Length	White Low Loss /30cm, 1ft; other length on request	2 x White Low Loss / 30 cm, 1 ft	White Low Loss / 30cm, 1 ft
Connector	SMA-male, other type on request	2 x SMA-male, other type on request	SMA-male, other type on request
Mechanical Data			
Housing & Radome Material	RAL 7035 Light Grey thermoplastic UV stabilized		
Bracket & Hardware Material	Galvanized Steel		
Wind Load / Resistance	40 N @ 150 Km/h / 180 Km/h, 112 mi/h		
Wind Surface	0.02 m ² , 0.21 ft ²		
Dimensions (approx.)	154 x 134 x 46 mm, 6 x 5.3 x 1.8 mm without bracket		
Weight (approx.)	500 gr, 1.1 lb		
Operating Temperature	-40 °C to +80 °C		
Installation type	Mast: Ø 25-42 mm, Ø 1-1.6 in with U-bolt. Wall: with mounting screws (not included)		
P/N	2111003.00	2111403.00	2111303.00

