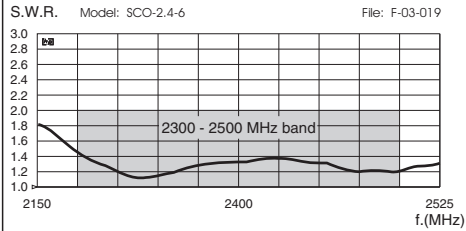
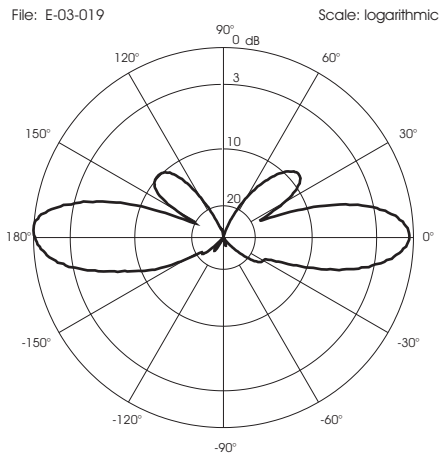


SCO-2.4-6

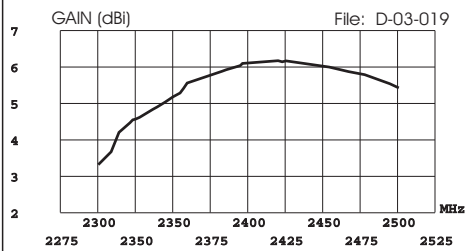
TYPICAL S.W.R. RESPONSE



TYPICAL RADIATION PATTERN IN E-plane at 2442.5 MHz

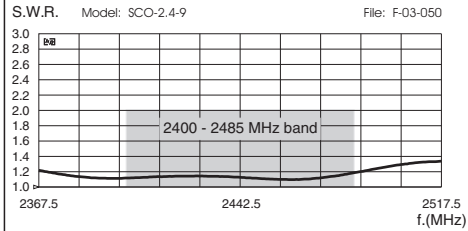


TYPICAL GAIN DIAGRAM vs FREQUENCY

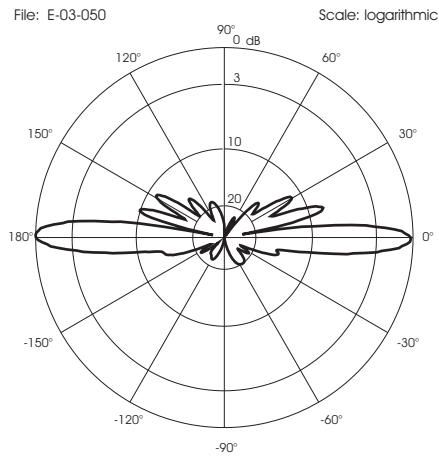


SCO-2.4-9

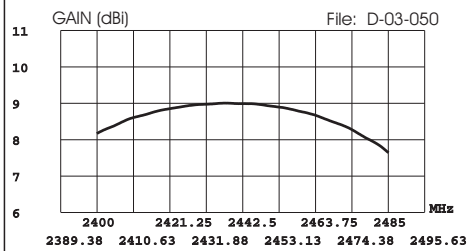
TYPICAL S.W.R. RESPONSE



TYPICAL RADIATION PATTERN IN E-PLANE at 2442.5 MHz



TYPICAL GAIN DIAGRAM vs FREQUENCY



OMNI W-LAN

SCO-2.4-6 SCO-2.4-9

UHF Base Station Antenna 2400 - 2485 MHz



SCO-2.4-6

SCO-2.4-9

DESCRIPTION

Base station antenna working on 2.3-2.5 GHz conceived for W-LAN system. The radiant element is made of Teflon® PCB to guarantee high power and low losses and it is protected by a fiberglass tube. Its supplied with an aluminium bracket for an easy installation on the mast.

SPECIFICATIONS

Electrical Data

Type	: Collinear Dipole Array	
Frequency Range	: SCO-2.4-6	2300-2500 MHz
	: SCO-2.4-9	2400-2485 MHz
Impedance	: 50	
Polarization	: Linear Vertical	
Max Gain	: SCO-2.4-6	6 dBi
	: SCO-2.4-9	9 dBi
3 dB Beamwidth Vertical	: SCO-2.4-6	22° @ 3550 MHz
	: SCO-2.4-9	10° @ 3550 MHz
Beamwidth Horizontal	: 360° omnidirectional	
Downtilt	: 0°	
SWR in Bandwidth	: 1.5	
Max Power	: 20 Watts (CW) @ 30° C	
Grounding Protection	: All metal parts are DC-grounded, the inner conductor shows a DC-short	
Connector type	: N-female, gold plated central pin	

Mechanical Data

Housing Materials	: Aluminium, Stainless Steel, Chromed Brass	
Radome Material	: White Fiberglass	
Wind Load / Resistance	: 19N @ 150 Km/h / 200 Km/h	
Wind Surface	: 0.015 m ²	
Height (approx.)	: SCO-2.4-6	325 mm
	: SCO-2.4-9	630 mm
Weight (approx.)	: SCO-2.4-6	350 gr
	: SCO-2.4-9	415 gr
Operating Temperature	: -40° C to 80° C	
Mounting Mast	: 35-54 mm	

MOUNTING INSTRUCTIONS

Fixing bracket:



Fixing bracket part list

Q.ty	Description
1	Extruded aluminium bracket
1	M6x188 V-bolt
1	M6x20 Exagonal head screw
3	M6 Spring lock washer
3	M6 Hexagonal nut
Materials:	extruded aluminum
Hardware:	stainless steel
Dimensions:	80 x 76 x 25 mm
Weight:	110 g
Re-order code: SA161	

