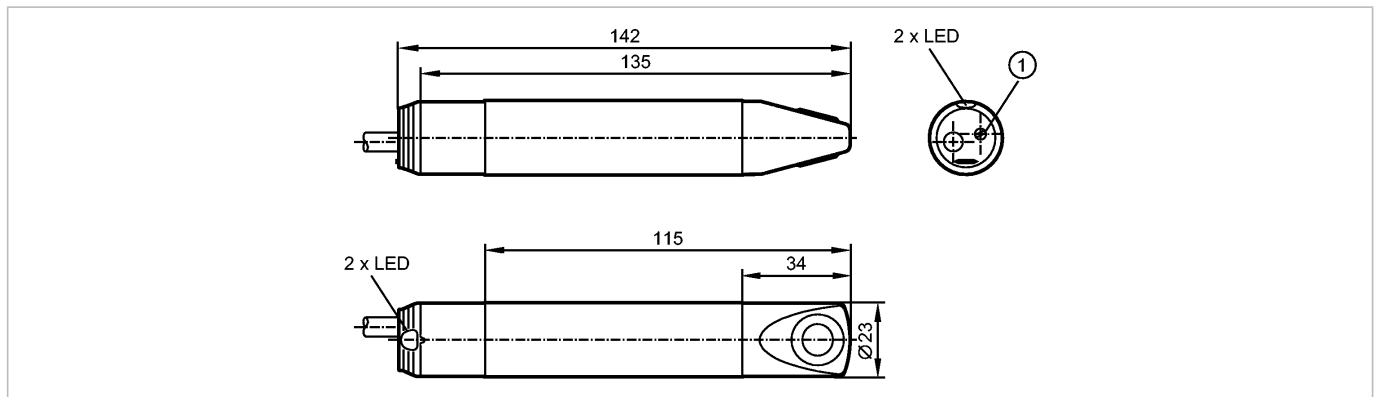


SL5101

SLG23CEEAKOG/24VDC

Flow sensors



Product characteristics

Airflow monitor	
Cylindrical type	
Process connection: Ø 23 mm	

Application

Pressure rating	[bar]	1
Medium temperature Gases	[°C]	-10...50

Electrical data

Electrical design		DC
Operating voltage	[V]	24 DC ± 25 %
Power consumption	[VA]	1
Insulation resistance	[MΩ]	> 100 (500 V DC)

Outputs

Output function	relay energised when flow is present
Contact rating	3 A (30 V DC / 250 V AC)

Measuring / setting range

Setting range	[cm/s]	100...1000
Greatest sensitivity	[cm/s]	100...400

Accuracy / deviations

Max. temperature gradient of medium	[K/min]	5
-------------------------------------	---------	---

Response times

Power-on delay time	[s]	60
Response time	[s]	3...60

Software / programming

Adjustment of the switch point	potentiometer
--------------------------------	---------------

Environment

Ambient temperature	[°C]	-10...50
Max. relative air humidity	[%]	90
Protection		IP 65

Tests / approvals

MTTF	[Years]	1202
------	---------	------

Mechanical data

Process connection		Ø 23 mm
--------------------	--	---------

SL5101

SLG23CEEAKOG/24VDC

Flow sensors

Materials (wetted parts)	PBT; titanium
Housing materials	housing: PBT; sensor surface: titanium
Weight [kg]	0.19

Displays / operating elements

Function display	LED	1 x red / 1 x green
------------------	-----	---------------------

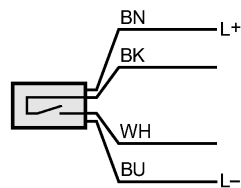
Electrical connection

Connection	PUR / PVC cable / 2 m; 4 x 0.5 mm ²
------------	--

Wiring

Core colors

BN	brown
BU	blue
BK	black
WH	white



Accessories

Accessories (included)	Mounting clamp (E40048); screwdriver
------------------------	--------------------------------------

Remarks

Pack quantity [piece]	1
-----------------------	---