

# Spider

## Connects four 1-Wire (RJ11) sensors to the RS-485 bus (RJ45)

Spider is an active RS-485 and 1-Wire bus converter. It can be connected to RS-485 up to 1.000m away from a Poseidon 2250, in order to hook up four 1-Wire RJ11 sensors (dry contact / temperature / humidity).

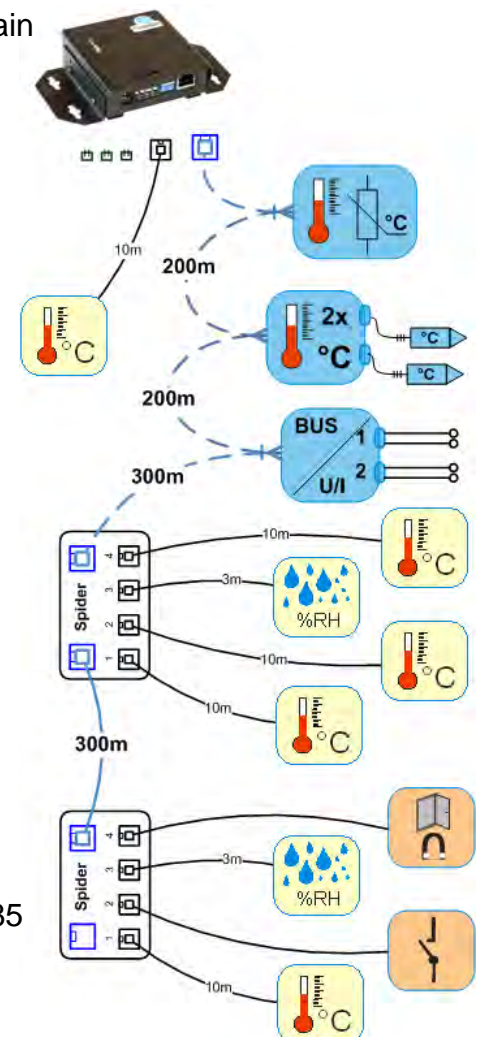
The RS-485 bus uses RJ45 connector and Cat5 cables (also carrying power).



- **Spider input:** 4 dry contacts or temperature / humidity sensors (1-Wire bus RJ11)
- **Spider output:** Poseidon 2250
- **Daisy-chaining:** Spiders can be daisy-chained
- Up to **4 Spider units** can be connected to a Poseidon 2250 unit
  - Up to 16 sensors in total / up to 24 values (temperature + humidity)

### Basic features

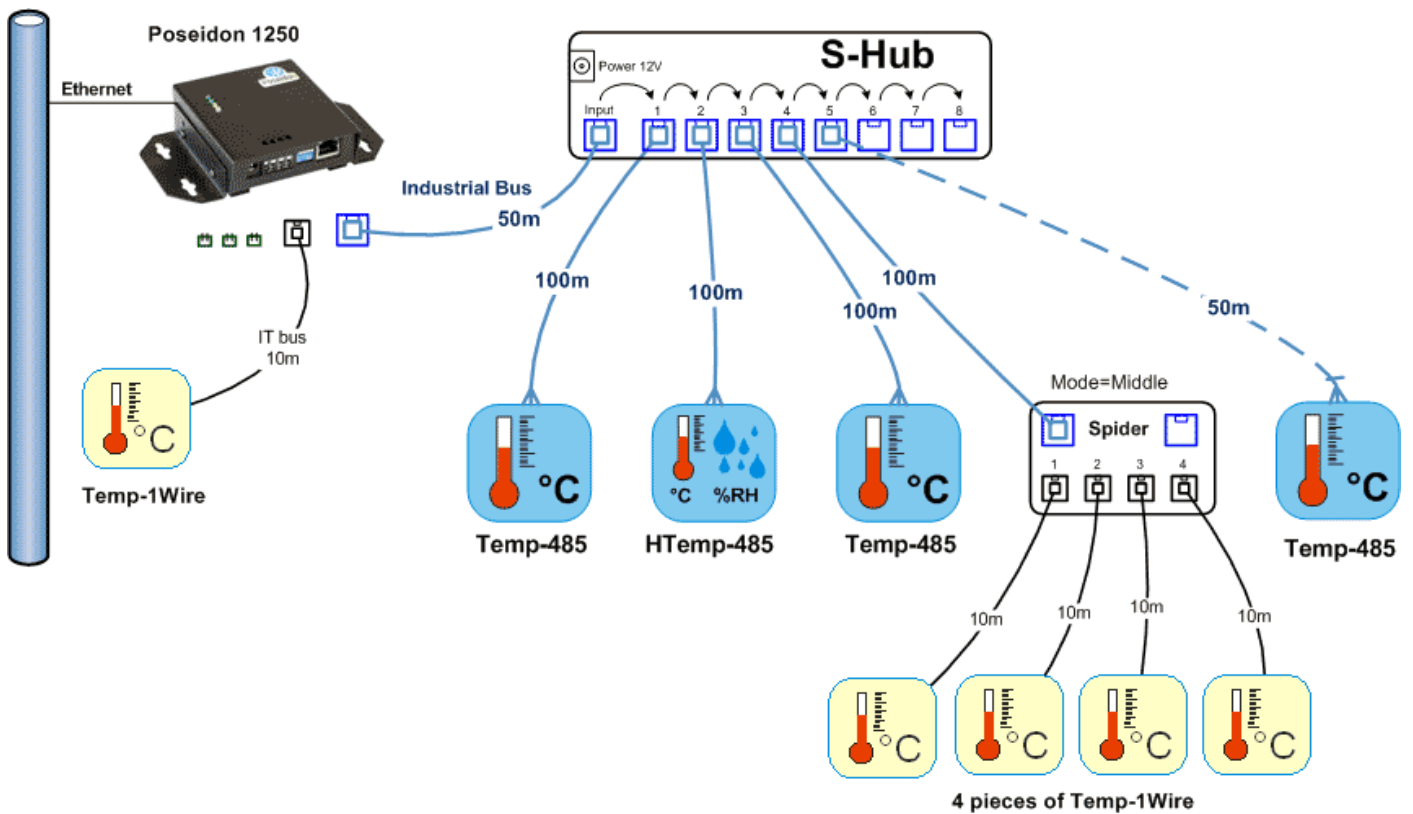
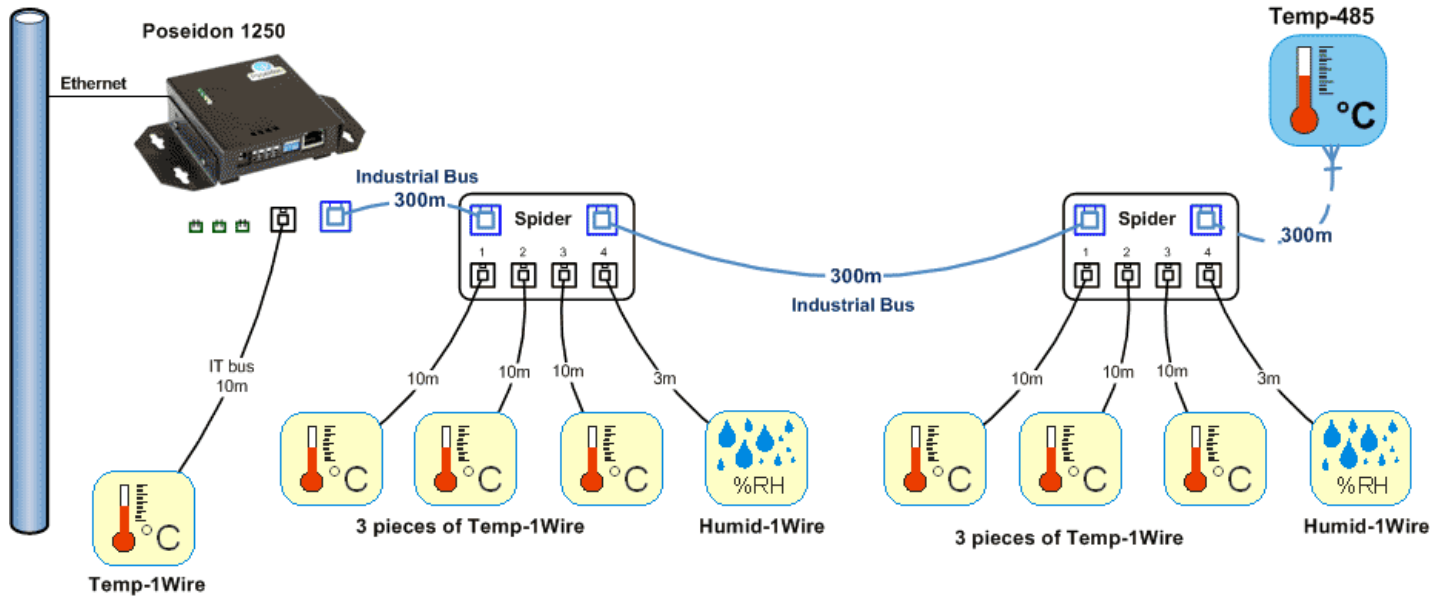
- **Two RJ45 jacks** to connect the RS-485 bus for easy daisy-chain connection
- **Sensor inputs 1–4** support:
  - Dry contact input (NC / NO) (RJ11)
  - 1-Wire temperature sensor (RJ11)
  - 1-Wire humidity sensor (RJ11)
- **Power** is supplied from the Poseidon unit via the RS485 bus. For more than 2 spiders per Poseidon unit it's recommended to use **external power input** (12VDC, barrel connector).
- DIP switch to **set the address** on the RS-485 bus (sensor ID)
- **Indication** that a probe is being read / dry contact is closed
- Reacts to very short dry contact pulses (30 ms)



### Application examples

- Additional dry contact inputs for Poseidon 2250
- Collection of values from individual 19" racks, RS-485 leads along the walls
- Temperature measurement in freezers in supermarkets, RS-485 leads along the wall behind the freezers

### Application examples



### Purchase codes

600 273

Spider

Connect up to Four 1-Wire sensors to RS-485 of Poseidon 2250.