

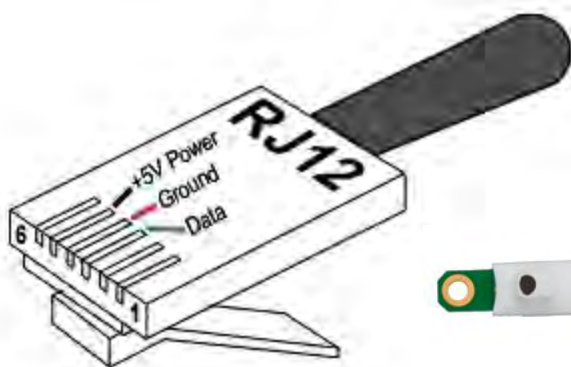
Humid-1Wire

A simple digital temperature and humidity sensor for indoor usage. The sensor is designed for using with the Poseidon, HWg-Ares, HWg-STE and other HW group products.

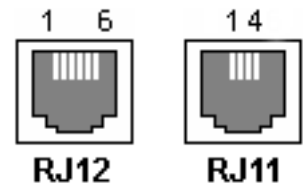
You can have several parallel sensors on one RJ11 sensor port. Each one sensor is identified by a unique serial number.



Connectors



RJ12	RJ11			
3	2	Data	<->	Data 1-Wire
4	3	GND	---	System Ground
5	4	+5V	---	Power supply



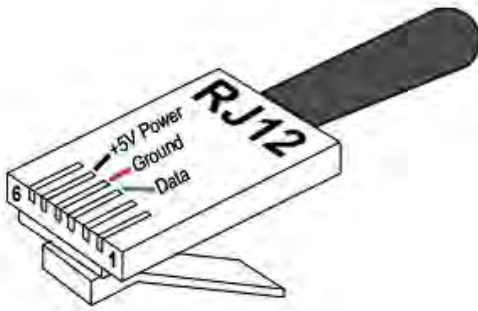
Technical parameters

- Sensor range** **0-100% RH** (Relative Humidity)
- RH Accuracy** $\pm 5\%$ RH, 2-80%RH non-condensing, 25 °C
- RH Linearity & Hysteresis** < 2% RH typical, $\pm 2\%$ RH span maximum
- RH Repeatability** $\pm 0.2\%$ RH
- RH Response Time, 1/e** 15 sec in slowly moving air at 25 °C
- Communication** 1-Wire bus (Data, GND, +5V) - RJ11 male
- Probe dimension & cable** 78 x 9.5 x 6 mm, cable 3m
- Montage drill** $\varnothing 3\text{mm}$
- Operating temperature range** -40°C to +85°C

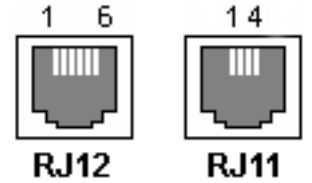
Similar sensors

Humid-1Wire 1m / 3m / 10m	Humidity sensor for indoor usage, RJ11 connector, 1m / 3m / 10m cable.
HTemp-1Wire Outdoor 3m	Temperature & Humidity outdoor sensor, 3m cable RJ11 connector.
HTemp-1Wire 3m	Temperature & Humidity sensor, 3m cable RJ11 connector.
HTemp-1Wire Box2	Temperature & Humidity sensor, 2x RJ12 female (can be daisy-chained). Boxed version designed for internal usage
HTemp-1Wire Rack19	Temperature & Humidity sensor, 2x RJ12 female (can be daisy-chained). Designed for 19" rack cabinets usage.

Connectors



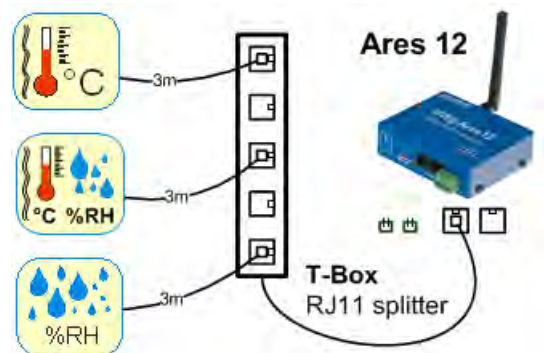
RJ12	RJ11			
3	2	Data	<->	Data 1-Wire
4	3	GND	---	System Ground
5	4	+5V	---	Power supply



Sensors wiring examples

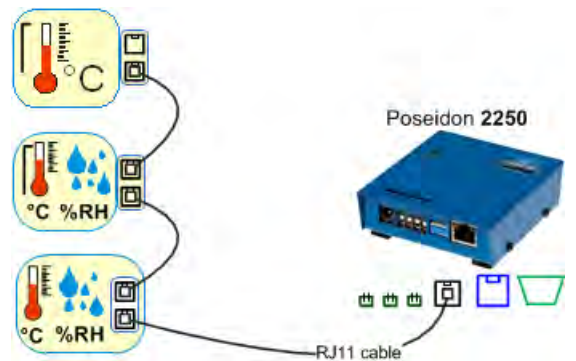
Star topology – 60m in total:

You can use the T-Box or T-Box2 splitters to connect more sensors to one device active port.



Daisy-chained – 60m in total:

There are **two** RJ11 female connectors on some sensors.



4x active port, 4x60m:

