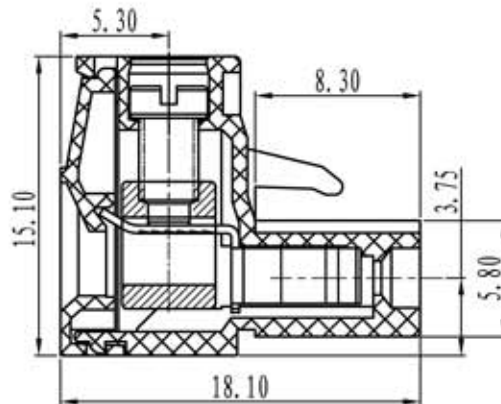
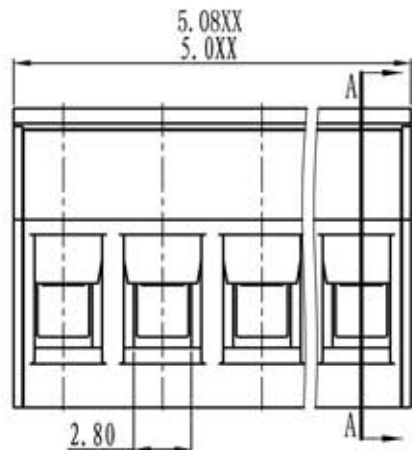
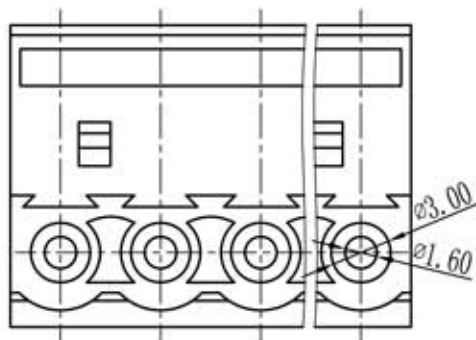


# euro-block

product specification



SECTION A-A



TOLERANCES EXCEPT AS NOTED

Versione/Version 2012-2 Data/Date 05/12/2012

Electrical	
Standard	UL IEC
Rated voltage	300V 320V
Rated current	15A 20A
Contact resistance	20m $\Omega$
Insulation resistance	500M $\Omega$ /DC500V
Withstanding voltage	AC2000V/1 Min
Wire range	28-14 AWG 2.5sqmm

Mechanical	
Torque	0,5Nm (4,5Lbin)
Temp. Range	-40°C + 105°C
Stripping length:	7-8 mm

Dimensions	
Pitch	5 - 5.08 mm
Poles	2+24

Material	
Housing	PA66, UL94V0
Clamp	Phosphore Bronze, Nikel plated
Wire guard	Brass Nikel plated
Screws	M3 Steel Zinc plated

Schema generale del codice di ordinazione/General description of ordering code

Series	n. poles	pitch	version	color	custom
CRF	2+24	5 - 5.08			

	linear dimension					fillet	chamfer	short angle sid			≡	-	□	//	⊥			
	variable range	to 6	over 6 to 30	over 30 to 120	over 120 to 480	all	over 6 to 6	to 10	over 10 to 50	over 50 to 120						to 10'	to 30'	to 20'
tolerance	±0.1	±0.2	±0.3	±0.5	±0.9	±0.2	±0.5	±1	1'	30'	20'	10'	0.5	0.025	0.06	0.12	0.4	

UNITS	mm	SIZE	A4	SCALE	FIRST ANGLE PROJECTION
<b>euro-block</b>					CRF-5/5.08