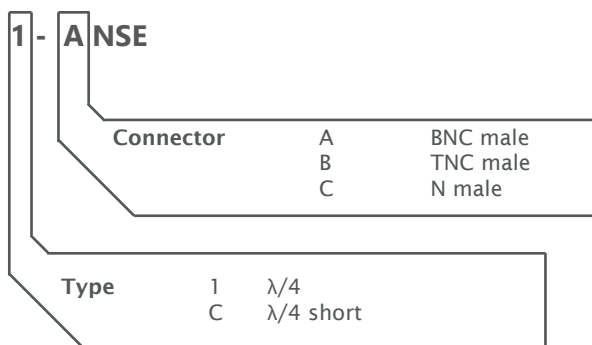


SERIES ANP1 | ANTENNE



NOMENCLATURE

ANP1 1 - A NSE



FEATURES

	ANP11-xNSE	ANP1C-xNSE
Operating band	165 - 175 MHz	140 - 175 MHz
Impedence	50 Ω	50 Ω
Gain	+2 dBi	-3 dBi
V.S.W.R.	< 2 : 1	< 2.1 : 1
Radiation	Omnidirectional	Omnidirectional
Max power allowed	10 W	10 W
Operating temperature	-40°C +80°C	-40°C +80°C
Material	Thermoplastic polymer	Thermoplastic polymer
Length	400 mm	140 mm
Diameter	15,3 mm	17 mm
Weight	19 gr	26 gr

NOTE

To reach the indicated performance the antenna need a proper ground plane.
For a correct installation, please mount the antenna a least 5 cm distant from every metallic object and perpendicular and in the middle of its ground plane.



ERE
WIRELESS



Ere srl | Via Ermanno Ge, 9/11
27049 Stradella (PV) | Italy | Tel +39 0385 48139
www.erewireless.com | info@erewireless.com