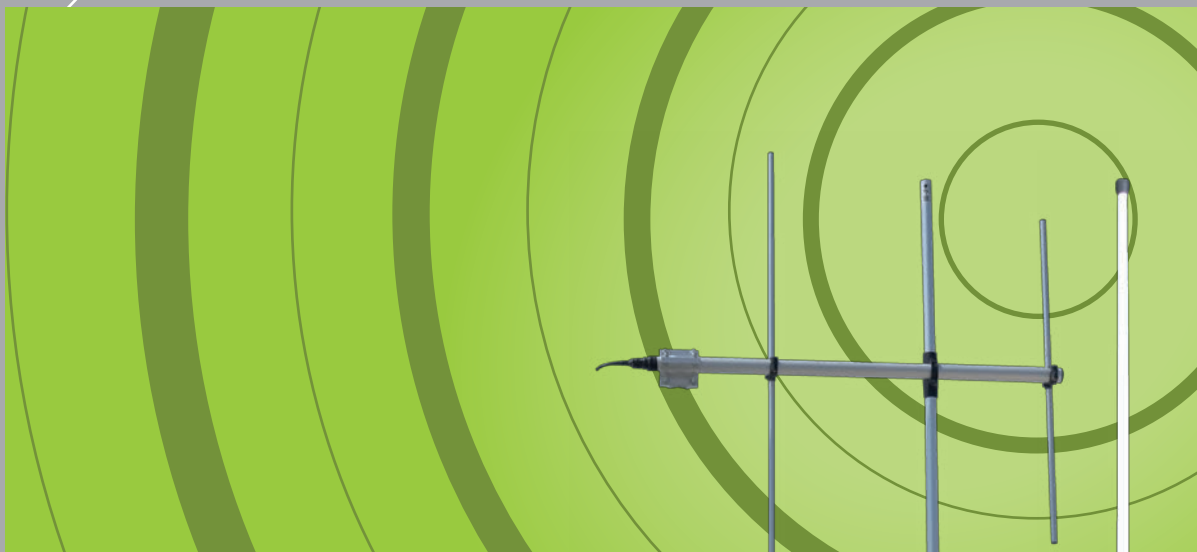
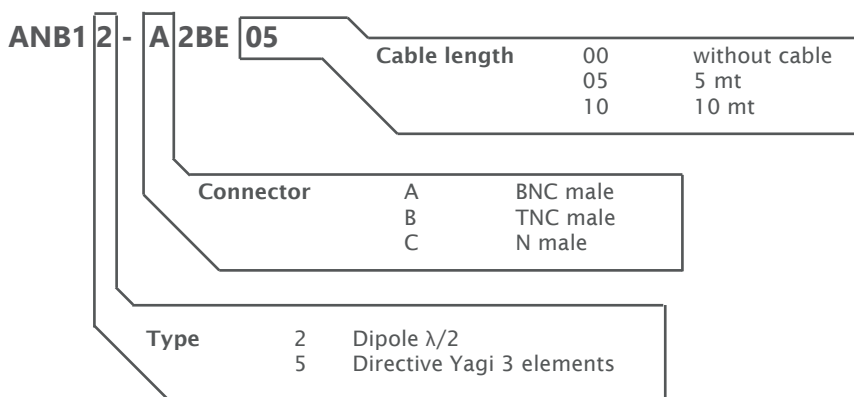


SERIES ANB1 | ANTENNE



NOMENCLATURE



FEATURES

	ANB12-x2BE00	ANB15-x2BE00
Operating band	169.4 MHz	155 - 175 MHz
Impedence	50 Ω	50 Ω
Gain	+3 dBi	+7 dBi
V.S.W.R.	< 1.5 : 1	< 1.5 : 1
Radiation	Omnidirectional	Directive YAGI H-Plane -3 dB = 130°@165MHZ E-Plane -3 db = 70°@165MHz
Max power allowed	50 W	200 W
Operating temperature	-40°C +80°C	-40°C +60°C
Material	Fiberglass	Anodized alluminum Thermoplastic polymer
Wind load / resistance	-	110 N @ 150-160 km/h
Dimension	900 mm (length)	990 x 985 mm
Diameter	19 mm	-
Weight	180 gr	1700 gr

NOTE

For a correct installation, please mount the antenna a least 5 cm distant from every metallic object.



ERE
WIRELESS

Ere srl | Via Ermanno Ge, 9/11
27049 Stradella (PV) | Italy | Tel +39 0385 48139
www.erewireless.com | info@erewireless.com