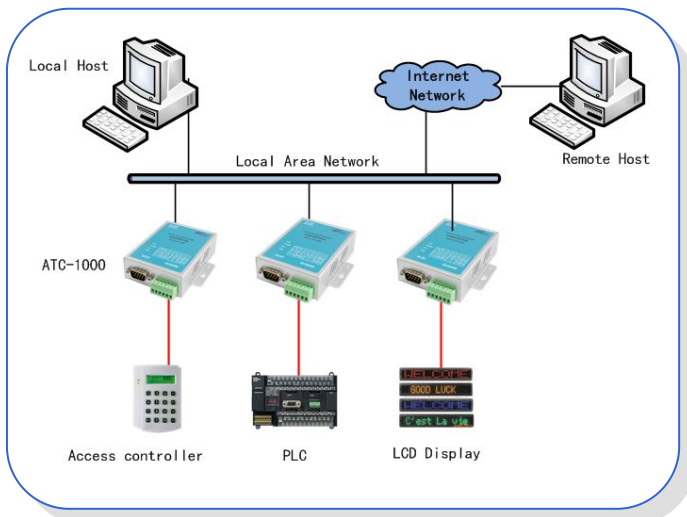


Model ATC-1000

Product Features

- RS-232/422/485 3 in 1 interface
- Support 10/100Mbps Ethernet port
- Supports 4-wire and 2-wire RS-485 work mode
- Automatic data direction control on RS-485
- Supports 24VDC industrial power supply
- Terminal block easily for RS-422/485 installation
- Configure via webpage and windows utility
- Supports virtual serial port, TCP Server/Client and UDP work mode
- Built-in watchdog
- CE, RoHS and FCC Certifications

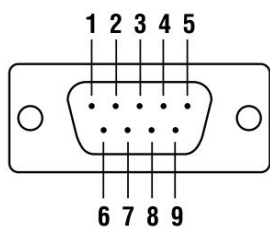


Product Description

The ATC-1000 is a cost effective and highly integrated serial-to-Ethernet Converter. Support 10/100Mbps Ethernet and the serial port support RTS/CTS handshake control signal. Use the software kit user can easily configure and find the device, even forget the IP address. This serial server can work very well in virtual serial mode, this is very convenient for the user's software only support com port. ATC-1000 is an industrial-strength network-based converter can help serial device with RS232/422/485 port like CNC, PLC, weighing scale, scanner and other device access to the 10/100Mbps Ethernet network.

Pin Assignment

RS-232 DB-9(Male)



PIN	RS-232
1/4/6/9	-
2	RXD (in)
3	TXD (out)
5	GND
7	CTS (out)
8	RTS (in)

RS-485/422 6-pin Terminal block

1	2	3	4	5	6
485+ (T+)	485- (T-)	R+	R-	VCC (9~32VDC)	GND

Order Information

ATC-1000 One port RS-232/485/422 Serial Server RS-232/422/485
 ATC-1000M 3.3V TTL Serial Server Embedded Module 3.3V TTL serial port

Package Checklist

- ATC-1000 serial server 1 PCS
- Documentation and software CD 1PCS
- Power adapter 9V

Specifications

Serial Interface		
Interface Type	RS-232/485/422 3 in 1 (optional)	
Data Rate	300bps ~ 230.4Kbps	
Data Length	5,6,7,8 bits	
Parity	Odd, Even, None, Space, Mark	
Stop Bits	1, 1.5, 2 bits	
Flow Control	None, Software: Xon/Xoff, Hardware: RTS/CTS	
Connector	RS-232	DB-9 male
	RS-485/422	6-pin Terminal block
Serial Line Protection	600W for RS-232, 1000W for RS-485/422	
Network Interface		
Interface Type	Ethernet 10/100Mbps (Auto-Sensing)	
Connector	8-pin RJ-45	
Magnetic Isolation Protection	Built-in 1.5KV	
Software		
Network Protocols	ICMP,IP,TCP,UDP,DHCP,BOOTP,Telnet,DNS,HTTP,ARP	
Configure Options	Web Page,Windows Utility	
OS support	Windows95/98/ME/NT/2000/XP/2003/WIN7/WIN8/XP x64/2003 x64/WIN7 x64/WIN8 x64、Linux real、TTY、UNIX	
LED Indicators	LINK	10/100Base-TX Link & Activity Indicator
	ACT	Date Transmitting between Serial and Ethernet
	PWR	Power indicator
Power Supply	9~32VDC@1A	
Physical Characteristics		
Installation	DIN-Rail Mounting	
Housing	Iron (1mm)	
Weight	0.5Kg	
Dimensions	Without ears	100 × 67 × 26 mm(3.94 × 2.64 × 1.02 in)
	With ears	100 × 86 × 26 mm(3.94 × 3.39 × 1.02 in)
Environmental Limits		
Operating Temperature	-25 ~ 70°C (-13 ~ 158°F)	
Storage Temperature	-40 ~ 85°C (-40 ~ 176°F)	
Ambient Relative Humidity	5% to 95%(non-condensing)	
Standards and Certifications		
RoHS, CE, FCC		

Contact us

Shenzhen ATC Technology Co., Ltd

Room 803, Block B, Building 4, Tian'an Cyber Park, Longgang District, Shenzhen, China, 518172

Tel: +86-755 - 8345 2531 / 8345 3318

Fax: +86-755-2899 8985