

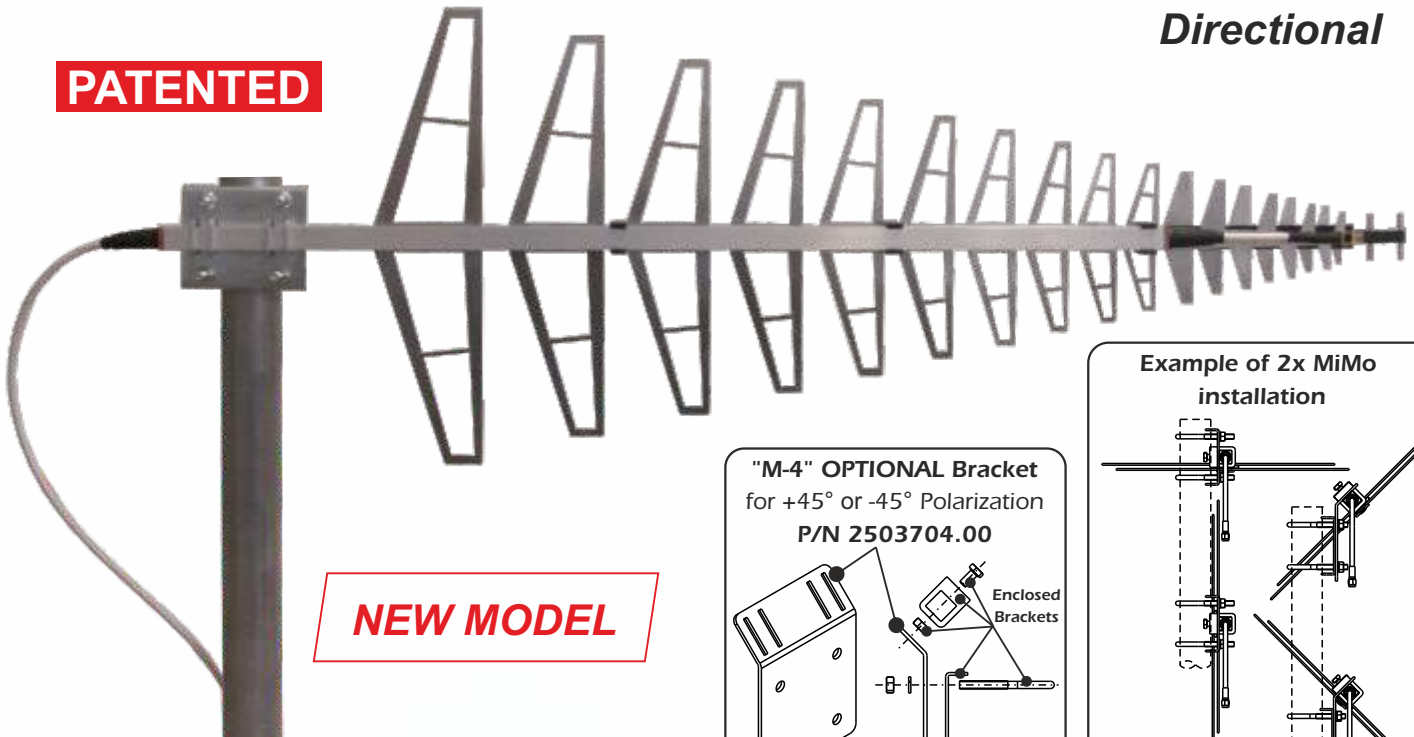
SLP 4G-LTE *Sirio Log Periodic*

Features:

- # Base station antenna, Directional, Wide-band, High-gain, no tuning required
- # 4G LTE multi systems (2G-GSM, 3G-UMTS, 4G-LTE, LTE 700, ISM/LoRa, WiFi, W-Lan etc)
- # Made of Aluminium and High quality materials
- # Vertical or Horizontal polarization.
- # Optional bracket +45° polarization. Suitable for MiMo installation

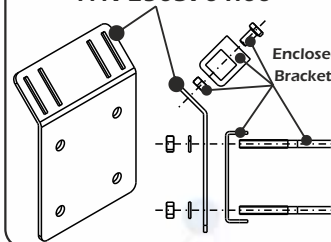
WIDE-BAND Directional

PATENTED

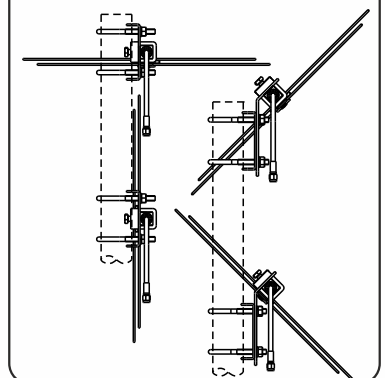


NEW MODEL

"M-4" OPTIONAL Bracket
for +45° or -45° Polarization
P/N 2503704.00



Example of 2x MiMo
installation



Electrical Data	SLP 4G/LTE
Type	Log Periodic Directional
Frequency Range @ SWR ≤ 2	698 - 2700 MHz (2G-GSM/GPRS, 3G-UMTS, 4G-LTE, ISM/SIGFOX/LoRa, WiFi, W-Lan etc.)
Impedance	50 Ω
Radiation (H-plane) Beamwidth @ -3 dB	40° (approx. freq. dependent)
Radiation (E-plane) Beamwidth @ -3 dB	56° (approx. freq. dependent)
Radiation angle deg.	0°
Front to back ratio	698-880MHz: ≥10 dB; 880-2700MHz: ≥20 dB
Polarization	Linear Vertical or Horizontal
Gain	9 ÷ 11 dBi
Max Power (CW) @ 30° C	10 Watts
Grounding Protection	All metal parts are DC-grounded, the inner conductor shows a DC-short
Cable / Connector	50cm Low-Loss / SMA-male (other on request)
Mechanical Data	
Housing & Radome Material	Aluminium, Thermoplastic, Chromed Brass
Bracket & Hardware Material	Galvanized Steel
Wind Load / Resistance	92 N @ 130 Km/h / 130 Km/h, 81 mi/h
Wind Surface	0.07 m ² , 0.75 ft ²
Dimensions (approx.)	850 x 290 x 50 mm, 2.8 x 0.95 x 0.16 ft
Turning radius (approx.)	820 mm, 2.7 ft
Weight (approx.)	830 gr, 1.8 lb
Operating Temperature	-40 °C to +70 °C
Installation type	Mast: Ø 25-42 mm, Ø 1-1.65 in with U-bolt
P/N	2112001.00

