

# HGO 4G LTE Improved

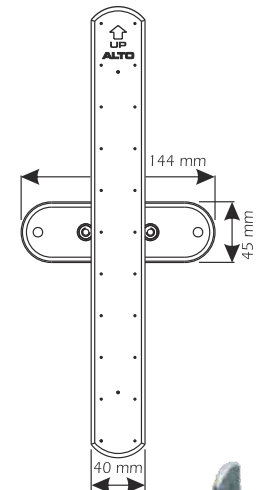
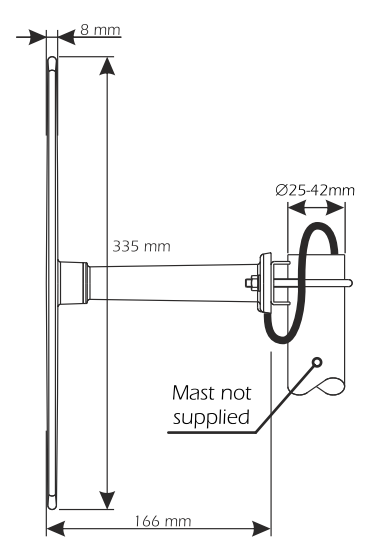
compact High Gain Omnidirectional

# HGO 433-868

**Features:**

- # Flat Design and very compact base station antenna
- # Omnidirectional, Multi-band, High-gain, no tuning required
- # High quality PCB radiator protected by UV stabilized thermoplastic cover
- # HGO 433-868: For ISM 433 & 868
- HGO 4G LTE: For GSM 900 & 1800, PCS, DECT, UMTS and W-LAN 2.4 systems, LTE

## MULTI-BAND Omnidirectional



Electrical Data	HGO 4G LTE Improved	HGO 433-868
Type	Multi Band Dipole Array	
Frequency Range @ SWR ≤ 2	790-960 MHz (GSM 900, LTE 800) & 1.71-2.17GHz (GSM 1.8,PCN,DECT,UMTS) & 2.4-2.7 GHz (W-LAN 2.4, LTE 2.6)	415-465 MHz (ISM 433 MHz) & 815-890 MHz (ISM 868 MHz)
Impedance	50 Ω	
Radiation (H-plane)	360° omnidirectional	
Radiation (E-plane)	Beamwidth @ -3 dB: see diagrams	
Radiation angle deg.	0°	
Polarization	Linear Vertical	
Gain	5 dBi @ 790-960 MHz & 1.7-1.9 GHz, 6 dBi @ 1.9 - 2.17 GHz, 5+6 dBi @ 2.4-2.6 GHz	2 dBi @ 433 MHz, 4 dBi @ 868 MHz
Max Power (CW) @ 30° C	20 Watts @ 790 - 960 MHz, 10 Watts @ 1.9 - 2.17 GHz, 6 Watt @ 2.4 - 2.6 GHz	20 Watts
Cable Type/Length/Connector	White Low Loss / 50cm, 1.6 ft or 5m, 16.4 ft / SMA-male, other type on request	

Mechanical Data		
Housing & Radome Material	RAL 7035 Light Grey thermoplastic UV stabilized	
Bracket & Hardware Material	Galvanized Steel	
Wind Load / Resistance	36 N @ 150 Km/h / 200 Km/h, 124 mi/h	
Wind Surface	0.02 m <sup>2</sup> , 0.21 ft <sup>2</sup>	
Dimensions (approx.)	335 x 166 x 144 mm, 13.2 x 6.5 x 5.7 in with bracket	
Weight (approx.)	350 gr, 0.77 lb	
Operating Temperature	-20 °C to +80 °C	
Installation type	Mast: Ø25-42mm, Ø1-1.65in with U-bolt. Wall: with mounting screws (not included)	
P/N 50cm, 1.6 ft cable	2153904/05CO	2154104/05CO
P/N 5m, 16.4 ft cable	2153904/5CO	2154104/5CO

