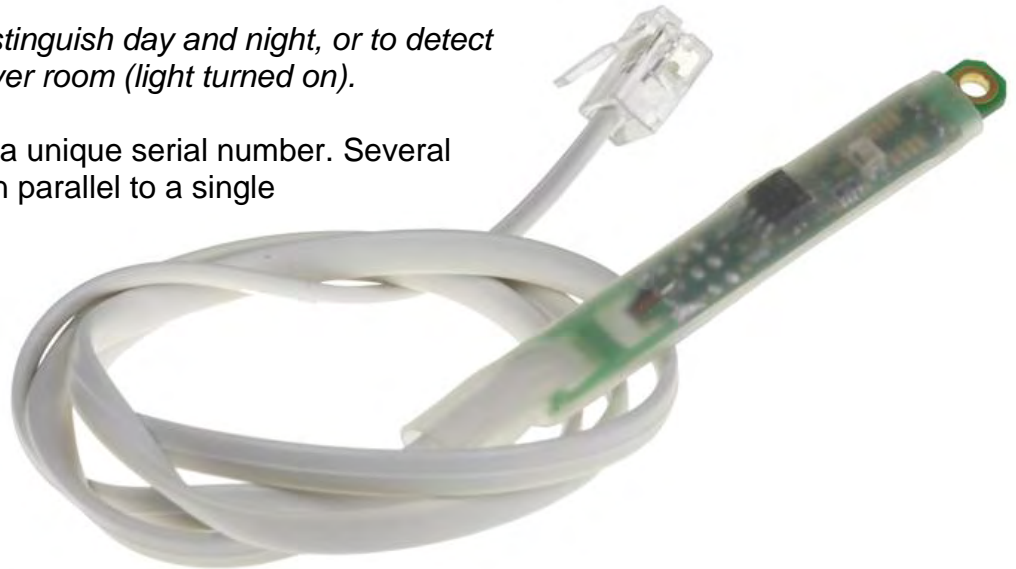


# Light 1Wire-UNI sensor

Simple light intensity sensor for indoor use. The sensor is designed for use with Poseidon, Ares and other HW group products. The sensor connects to the 1-Wire UNI interface.

A typical application is to distinguish day and night, or to detect presence of people in a server room (light turned on).

Each sensor is identified by a unique serial number. Several sensors can be connected in parallel to a single RJ11 sensor port.



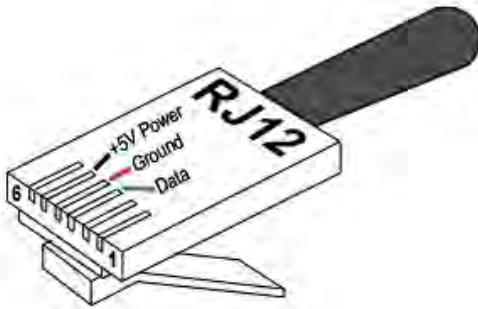
## Technical parameters

- |                           |                                    |
|---------------------------|------------------------------------|
| • Output                  | <b>0 – 100%</b>                    |
| • Communication           | 1-Wire bus (Data, GND, +5V) – RJ11 |
| • Operating conditions    | -40°C to +85°C (-40°F to +185°F)   |
| • Probe dimension & cable | 78 x 9.5 x 6 mm, cable 3m          |
| • Mounting hole drill     | Ø3mm                               |

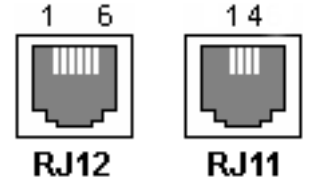
## Similar sensors

<b>Sensor Light 1W-UNI 3m</b>	<i>Light indoor sensor, 3m cable RJ11 connector.</i>
<b>HTemp-1Wire 3m</b>	<i>Temperature &amp; Humidity sensor, 3m cable RJ11 connector.</i>
<b>Sensor 60V 1W-UNI v2</b>	<i>0 to 60V DC voltage sensor for 1-Wire UNI. 2x RJ12 female (can be daisy-chained).</i>
<b>Sensor 20mA 1W-UNI</b>	<i>0 to 20mA DC current sensor for 1-Wire UNI. 2x RJ12 female (can be daisy-chained).</i>
<b>Sensor WLD Relay</b>	<i>Water Leak Detection sensor 2+2m with Relay and 1-Wire UNI outputs. Ready to use package with 12V power adaptor, 2m of WLD sensing cable included. Can be used for 2D surface liquids detection.</i>

# Connectors

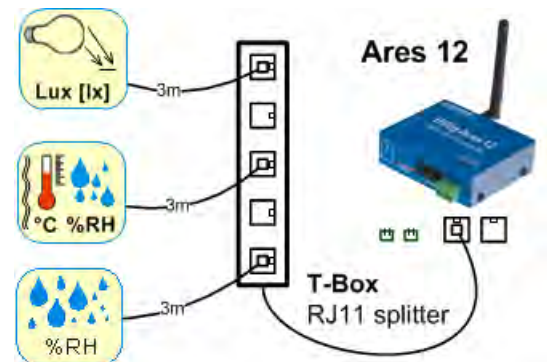


RJ12	RJ11			
3	2	Data	<->	Data 1-Wire
4	3	GND	---	System Ground
5	4	+5V	---	Power supply



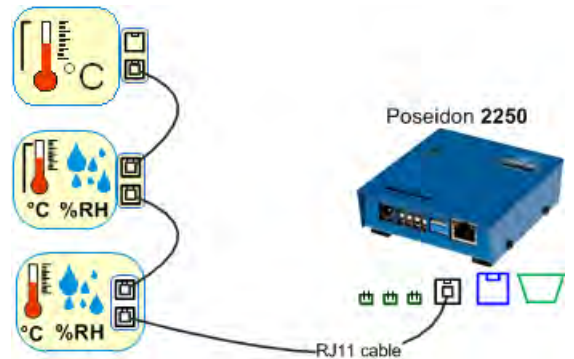
## Sensor wiring examples

Star topology – 60m in total:



Daisy-chained – 60m in total:

There are two RJ11 connectors on some sensors.



4x active port, 4x60m:

