

+ LR77 v2 LIBRATUM + UR5i v2 LIBRATUM

BALANCED CONCEPT
BALANCED CONFIGURATION
BALANCED PRICE

TRANSPORTATION AND SECURITY •
IT AND COMMUNICATION •
SELF-SERVICE TERMINALS •
ENERGY AND POWER INDUSTRY •
METEOROLOGY, ALARM AND WARNING SYSTEMS •



- 2x 10/100 Ethernet ports with two possible modes: 2-port Ethernet switch, 2x independent LAN
- Optional* Wi-Fi: AP or client mode
- Dual-SIM fail over
- Antenna Rx Diversity
- Temperature up to +75°C
- Metal or plastic casing

B+B SMARTWORX®

+ CONEL CELLULAR ROUTERS

ENABLING CONNECTED INTELLIGENCE

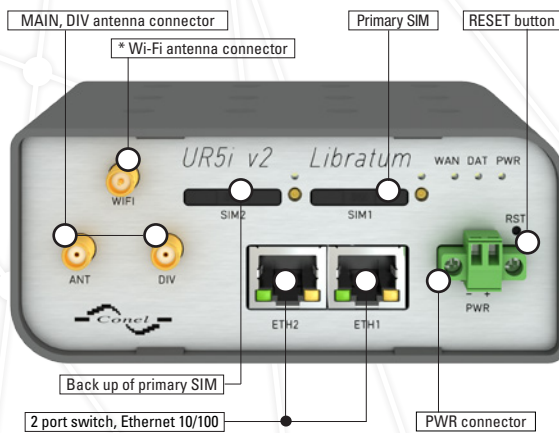
PRODUCT INFORMATION

Power, Consumption, Environmental, IP cover	
Power supply	10 – 30V
Consumption - Idle / Average / Peak	2,3 / 3,5 / 5,5 W
Temperature range – Operating / Storage	-40 to +75 °C / -40 to +85 °C
Humidity (noncondensing)	0 to 95%
IP cover – Standard	IP30

Mechanical	
Case with DIN rail	Metal / Plastic
Dimensions of metal casing	42 x 80 x 113mm
Dimensions of plastic casing	50 x 83 x 116mm
Weight - Metal / Plastic	280g / 150g

Ports, LED, Antennas	
Port 1, Port 2	Ethernet 10/100
SIM	2 Mini SIMs (2FF)
LED	WAN / DAT / PWR
2x Antenna, Rx Diversity	SMA connectors
WiFi antenna - *optional	R-SMA connector

LR77 v2 Libratum transfer technology	
GSM/GPRS/EDGE	Dual band, 900/1800MHz
UMTS/HSPA+	Tri-band, 900/1800/2100MHz
LTE	Five-band, 800/900/1800/2100/2600MHz
LTE Cat.3	100 / 50Mbps
UR5i v2 Libratum transfer technology	
GSM/GPRS/EDGE	Quad-Band 850/900/1800/1900MHz
UMTS/HSPA+	Five-Band 800/850/900/1900/2100MHz
3GPP release 6,7	14.4 / 5.7Mbps

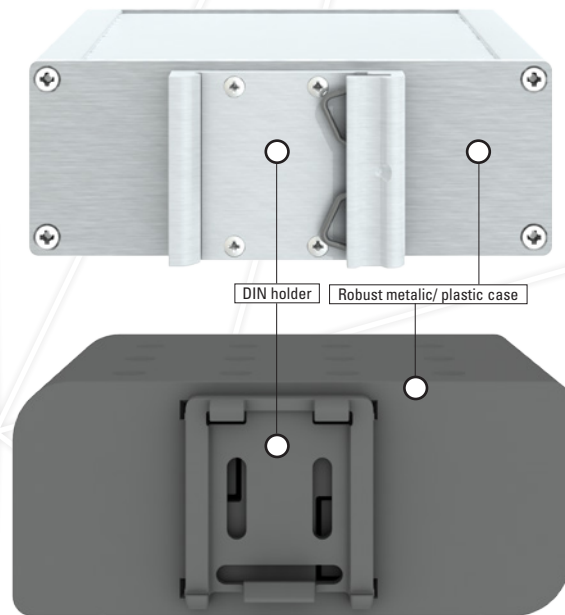


Conel UR5i v2 Libratum and LR77 v2 Libratum are compatible with:

R-SEENET
SMART CLUSTER

Distributor:

Features	
Networking	DHCP, NAT/PAT, VRRP, DynDNS client, VLAN, QOS, PPPoE Bridge, Dial-in, NTP client-server, IGMP, BGP, OSPF, RIP, SMTP
VPN tunneling	IPSec, OpenVPN, L2TP, PPTP, GRE, EasyVPN
Security	HTTPS, SSH, HTTP Authentication, Firewall, SFTP (FW 5.0)
Configuration	Web page, Telnet Automatic configuration from HTTP or FTP server Automatic firmware update from HTTP or FTP server StartUp script BackUp configuration Restore configuration Four configuration switchable profiles
Diagnostic	LED - PWR, DAT, WAN, SIM1, SIM2, ETH SNMP protocol Network status UMTS/GPRS status DHCP status IPSec status System log Two last month's statistics SMS Control
User software	Linux system open and ready for customer software modules StartUp / Down scripts Additional SW modules and the ability to create your own SW module



International Sales

Westlink Commercial Park
Oranmore, Co. Galway
Ireland

Phone: +353 91 792444
Fax: +353 91 792445
Email: eSales@bb-smartworx.com
Web: www.bb-smartworx.com

Conel s.r.o.

Sokolská 71
562 04 Ústí nad Orlicí III.
Czech Republic

Phone: +420 465 521 020
Fax: +420 464 647 299
Email: conel@bb-smartworx.com
Web: www.conel.com

