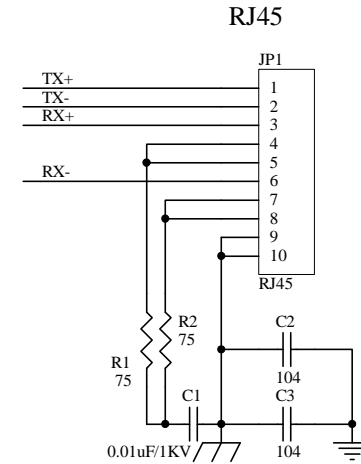
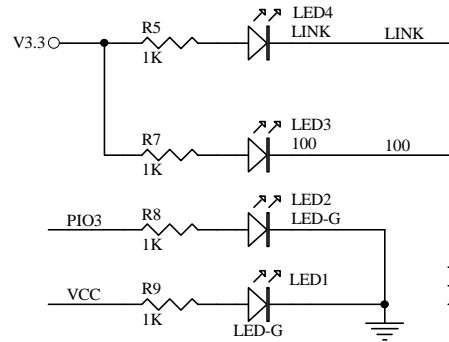
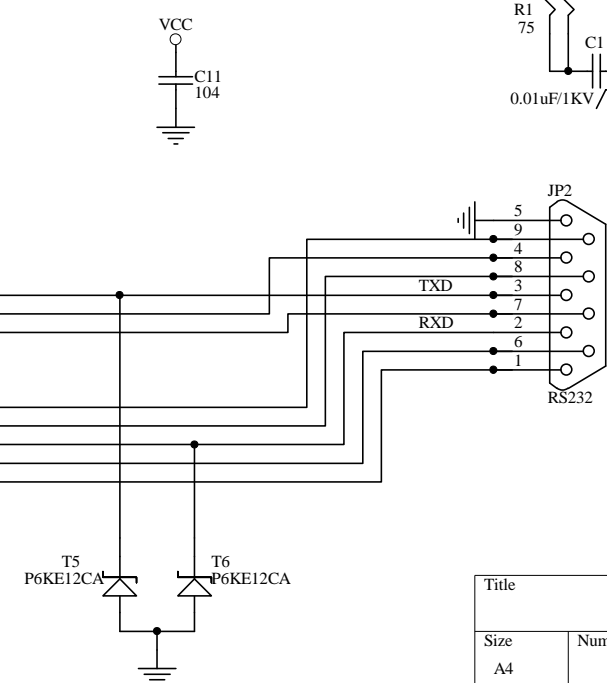
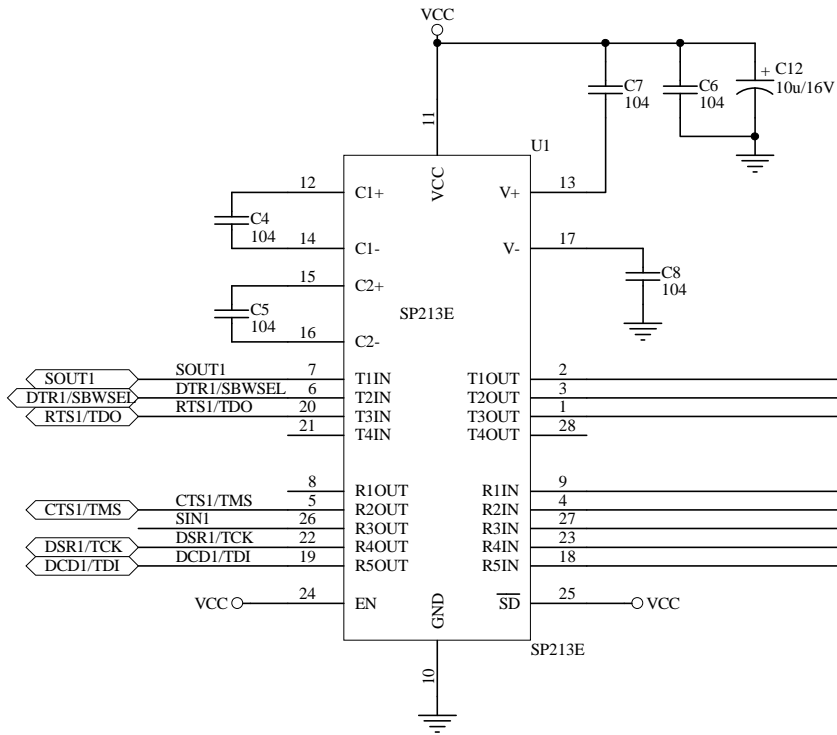


POWER



DIR board1

TX+	4
TX-	5
RX+	6
RX-	7
PIO14	12
PIO15	13
PIO3	14
PIO1	15
PIO10	16
PIO25	17
/RESET	24
GND	26
RTS1/TDO	33
SIN1	34
SOUT1	35
V3.3	36
DSR1/TCK	37
CTS1/TMS	38
DCD1/TDI	39
DTR1/SBWSSEL	40
GND	41
Full Duplex	56
10	57
LINK	58
Collision	59
100	60
VCC	61
GND	63
NC	64



Title		
Size	Number	Revision
A4		
Date:	22-Dec-2005	Sheet of
File:	D:\nicamhong\..\ATC-2000M.sch	Drawn By: